



360 Yield Center Dealers

2016 Order & Retail Price Guide

Issued May 19, 2016



Order a 360 SOILSCAN™

STEP 1:

Order the **360 SOILSCAN™ with Case.**

PG 2

Quantity needed: One

Included with purchase:

- 360 SOILSCAN Unit (with Nitrate Sensor)
- 360 SOILSCAN Case
- 12V Power Cable
- 110V Power Cable
- Lightning to USB Cable
- Lightning 30-pin Adaptor
- NO3-N, 7 pH Standard Solution (20 ppm)
- Bottle, Wash
- Calibration Bottle
- Sample Cups (Pack of 50)
- Soil Scoop
- Mix Rod - Aggressive
- Mixing Sleeve

OTHER:

Accessories as well as replacement parts are available.

PG 2

Note: Ipad 3 or newer is needed for operation with the 360 SOILSCAN Unit.



360 SOILSCAN™ Unit and New Sensor Kits

		Retail Price	Qty	Ext
431020	360 SOILSCAN with Case (Includes Nitrate Sensor)	3,850.00		
431038	pH Sensor Kit (Sensor, Solution)	850.00		

360 SOILSCAN™ Sensor Replacement Parts

		Retail Price	Qty	Ext
431037	pH Sensor Assembly (Replacement)	825.00		

360 SOILSCAN™ Accessories

		Retail Price	Qty	Ext
431049	2 Tip Replacement (Nitrate & Reference)	150.00		
432340	NO3-N, 7 pH Standard Solution (20 ppm)	36.00		
431035	NO3-N Tip and Water Test Kit	36.00		
432380	SoilScan QR Labels - 50 Pack	25.00		

360 SOILSCAN™ Replacement Parts

		Retail Price	Qty	Ext
432046	Mix Motor	250.00		
432078	110V Power Cable	105.00		
432112	Pump	350.00		
432176	Soil Scoop	20.00		
432190	Bottle, Wash	15.00		
432226	12V Power Cable	40.00		
432265	Mixer Rod - Original	10.00		
432329	Mixing Rod - Aggressive	10.00		
432291	Carrying Case	300.00		
432322	Sample Cups (Pack of 100)	5.75		
432324	Power Cord, Australia	10.00		
432355	Calibration Bottle - 4 Compartment	12.00		
432371	Mixing Sleeve	5.00		

Order Online at <http://dealerstore.360yieldcenter.com>

Prices Subject to Change

360YC Price List v2.10



Order a 360 Y-DROP™ System

STEP 1:

Order the **Sprayer Mount Package** from the available models.

PG 6 - 7

Quantity Needed: One

Ex: Sprayer Mount Pkg - JD 4830/4730/4720 - 60 ft

To locate model, determine the length of the 360 Y-Drop system required: 30', 40', 60' or 70' systems.

Refer to the chart below and the technical guide to assist in determining boom length.

Spacing	Rows	Calculated Boom Feet	Y-Drop Boom Category	JD 4830/4730/4720	JD 4930/4940	JD 4710	JD 4630	JD R-Series 80, 90, 100' Boom	JD R-Series 120' Booms	Hagie STS Steel 80, 90, 100' Boom (2000-current)	Hagie STS 120' Aluminum Boom (2012-current)	Hagie DTS (pre-2016)	Hagie DTS (2016+)	Case IH 120' Boom	Case IH 80'-90' Boom	Miller Nitro (2008+)	New Holland	Miller Nitro (pre-2008)	ROGATOR 80, 90, 100' Boom	ROGATOR 120' Boom	Apache 80, 90, 100' boom	JD K&S Aluminum
15	48	60	60	410506	410516	410686	410666	410526	410536	410546	410556	N/A	410636	410566	410576	410586	410596	410606	410616	410626	410646	410696
20	36	60	60	410506	410516	410686	410666	410526	410536	410546	410556	N/A	410636	410566	410576	410586	410596	410606	410616	410626	410646	410696
22	24	44	40	410504	410514	410684	410664	410524	410534	410544	410554	410654	410634	410564	410574	410584	410594	410604	410614	410624	410644	410694
22	32	59	60	410506	410516	410686	410666	410526	410536	410546	410556	N/A	410636	410566	410576	410586	410596	410606	410616	410626	410646	410696
22	36	66	70	N/A	410517	N/A	410667	410527	410537	410547	410557	N/A	N/A	410567	410577	410587	410597	410607	N/A	N/A	N/A	410697
28	32	75	70	N/A	410517	N/A	N/A	N/A	410537	N/A	410557	N/A	N/A	N/A	N/A	410587	410597	410607	N/A	N/A	N/A	410697
30	12	30	30	410503	410513	410683	410663	410523	410533	410543	410553	410653	410633	410563	410573	410583	410593	410603	410613	410623	410643	410693
30	16	40	40	410504	410514	410684	410664	410524	410534	410544	410554	410654	410634	410564	410574	410584	410594	410604	410614	410624	410644	410694
30	24	60	60	410506	410516	410686	410666	410526	410536	410546	410556	N/A	410636	410566	410576	410586	410596	410606	410616	410626	410646	410696
30	32	80	70	N/A	410517	N/A	N/A	N/A	410537	N/A	410557	N/A	N/A	N/A	N/A	410587	410597	410607	N/A	N/A	N/A	410697
38	12	38	40	410504	410514	410684	410664	410524	410534	410544	410554	410654	410634	410564	410574	410584	410594	410604	410614	410624	410644	410694
38	16	51	60	410506	410516	410686	410666	410526	410536	410546	410556	N/A	410636	410566	410576	410586	410596	410606	410616	410626	410646	410696
38	24	76	70	N/A	410517	N/A	N/A	N/A	410537	N/A	410557	N/A	N/A	N/A	N/A	410587	410597	410607	N/A	N/A	N/A	410697

STEP 2:

Order the **Boom Assemblies**

PG 8

Quantity Needed: (calculated boom length in feet ÷ 5) + 1

Exception: 66' systems = (calculated boom length in feet ÷ 5) + 2

Ex: Sprayer Mount Pkg - JD 4830/4730/4720 - 60 ft

(60' ÷ 5) + 1 = 13 boom assemblies

STEP 3:

Order the **Riser Mount Assemblies**

PG 8

Quantity Needed: # of drops

Ex: Sprayer Mount Pkg - JD 4830/4730/4720 - 60 ft

24 row system means 23 drops are needed = 23 riser mounts

STEP 4:

Order **Riser Mount Assemblies** for transport

Needed for placement on the boom assembly at times of transportation.

Quantity Needed: see chart to right.

Calculated Boom Ft.	Recommended Qty
30-44 ft	none
51 ft	4
59 ft and greater	6

PG 8

Order Online at <http://dealerstore.360yieldcenter.com>

Prices Subject to Change

360YC Price List v2.10



STEP 5:

Order the **Breakaway Assemblies**

PG 8

Quantity Needed: # of drops

Ex: Sprayer Mount Pkg - JD 4830/4730/4720 - 60 ft

24 row system = 23 Breakaway Assemblies

STEP 6:

Order the **Riser Tubes**

Quantity Needed: # of drops

Reference chart to right for common recommendations.

Ex: Sprayer Mount Pkg - JD 4830/4730/4720 - 60 ft

24 row system = 18 riser tubes at 67", 5 riser tubes at 55"

Note: Indicated length of Riser Tubes has changed to more accurately reflect the actual length of the tube. Refer to the technical guide for comparison of previous part names and numbers to current part names and numbers.

****Note:** Miller - 2008+ requires 6" extensions for Center drops (Part # 416107) is available in the Options and Additional Items section.

Recommended Riser Tube		
	Outside	Center
Apache	49"	49"
Rogator	49"	49"
Case	49"	49"
JD-R series	55"	67"
JD - 4830/4730/4720	67"	55"
JD - 4930/4940	55"	49"
JD - 4710	55"	49"
JD - 4630	49"	49"
Hagie DTS 2016+	67"	67"
Hagie DTS pre-2016	61"	61"
Hagie STS & Alumin.	67"	67"
Miller-pre 08	67"	67"
Miller-2008+ **	67"	79" + 6"

PG 8

STEP 7:

Order the **Riser Hose Assemblies**

Quantity Needed: # of drops

Reference chart to right for needed hose length.

Ex: Sprayer Mount Pkg - JD 4830/4730/4720 - 60 ft

24 row system = 18 riser hose assemblies at 114", 5 riser hose assemblies at 102".

Note: Order a Case AIM adapter (#416005) for each hose on Case AIM systems.

Riser Tube	Hose
43"	90"
49"	90"
55"	102"
61"	114"
67"	114"
79"	126"
91"	126"

PG 8

STEP 8:

Order the **360 Y-DROP™ Base Units**

Quantity Needed: INSIDE - Conventional (Black) base units: # of drops - 2

Quantity Needed: OUTSIDE - High Visibility (Orange) base units: 2

Ex: Sprayer Mount Pkg - JD 4830/4730/4720 - 60 ft

24 row system = 21 360 Y-DROP™ Conventional base units

+ 2 360 Y-DROP™ High Visibility base units

23 total drops

PG 8

STEP 9:

Order the **Drag Hoses**

Quantity needed: # of drops * 2

Ex: Sprayer Mount Pkg - JD 4830/4730/4720 - 60 ft

24 row system = 23 drops * 2 = 46 drag hoses

Note: Refer to Technical guide for guidance on drag hose length.

PG 8

Order Online at <http://dealerstore.360yieldcenter.com>

Prices Subject to Change

360YC Price List v2.10



STEP 10:

Order the **Orifices/Nozzles** (optional)

PG 9

Quantity needed: INSIDE: (# of drops * 2) - 2 - See Appendices B and C of technical guide

Quantity needed: OUTSIDE: Two - See Appendices B and C of technical guide

Ex: Sprayer Mount Pkg - JD 4830/4730/4720 - 60 ft

24 row system = (23 drops * 2) - 2 = 44 inside orifices or nozzles

+ 2 outside orifices or nozzles

46 total orifices or nozzles



Step 1 - Sprayer Mount Package

30' Boom		Retail Price	Qty	Ext
410503	Sprayer Mount Pkg - JD 4830/4730/4720 - 30 ft	\$ 900.00		
410513	Sprayer Mount Pkg - JD 4930/4940 - 30 ft	900.00		
410523	Sprayer Mount Pkg - JD R-Series 80, 90, 100' Boom - 30 ft	900.00		
410533	Sprayer Mount Pkg - JD R-Series 120' Boom - 30 ft	900.00		
410543	Sprayer Mount Pkg - Hagie STS Steel 80, 90, 100' Boom (2000-Cur.) - 30 ft	900.00		
410553	Sprayer Mount Pkg - Hagie 120' Aluminum Boom (2012-Cur.) - 30 ft	900.00		
410563	Sprayer Mount Pkg - Case IH 120' Boom - 30 ft	900.00		
410573	Sprayer Mount Pkg - Case IH 80'-90' Boom - 30 ft	900.00		
410583	Sprayer Mount Pkg - Miller Nitro (2008+) - 30 ft	900.00		
410593	Sprayer Mount Pkg - New Holland - 30 ft	900.00		
410603	Sprayer Mount Pkg - Miller Nitro (pre-2008) - 30 ft	900.00		
410613	Sprayer Mount Pkg - Rogator 80, 90, 100' Boom - 30 ft	900.00		
410623	Sprayer Mount Pkg - Rogator 120' Boom - 30 ft	900.00		
410633	Sprayer Mount Pkg - Hagie DTS (2016+) - 30 ft	900.00		
410643	Sprayer Mount Pkg - Apache 80, 90, 100' Boom - 30 ft	900.00		
410653	Sprayer Mount Pkg - Hagie DTS (Pre-2016), 284, & 2100 - 30 ft	900.00		
410663	Sprayer Mount Pkg - JD 4630 - 30 ft	900.00		
410683	Sprayer Mount Pkg - JD 4710 - 30 ft	900.00		
410693	Sprayer Mount Pkg - JD K&S Aluminum - 30 ft	900.00		
410703	Sprayer Mount Pkg - Hagie Delta Boom - 30 ft	900.00		
410713	Sprayer Mount Pkg - New Holland Rear Boom, Miller Condor - 30 ft	900.00		
410723	Sprayer Mount Pkg - Case IH 2000 Series - 30 ft	900.00		

40' Boom		Retail Price	Qty	Ext
410504	Sprayer Mount Pkg - JD 4830/4730/4720 - 40 ft	\$ 1,200.00		
410514	Sprayer Mount Pkg - JD 4930/4940 - 40 ft	1,200.00		
410524	Sprayer Mount Pkg - JD R-Series 80, 90, 100' Boom - 40 ft	1,200.00		
410534	Sprayer Mount Pkg - JD R-Series 120' Boom - 40 ft	1,200.00		
410544	Sprayer Mount Pkg - Hagie STS Steel 80, 90, 100' Boom (2000-Cur.) - 40 ft	1,200.00		
410554	Sprayer Mount Pkg - Hagie 120' Aluminum Boom (2012-Cur.) - 40 ft	1,200.00		
410564	Sprayer Mount Pkg - Case IH 120' Boom - 40 ft	1,200.00		
410574	Sprayer Mount Pkg - Case IH 80'-90' Boom - 40 ft	1,200.00		
410584	Sprayer Mount Pkg - Miller Nitro (2008+) - 40 ft	1,200.00		
410594	Sprayer Mount Pkg - New Holland - 40 ft	1,200.00		
410604	Sprayer Mount Pkg - Miller Nitro (Pre-2008) - 40 ft	1,200.00		
410614	Sprayer Mount Pkg - Rogator 80, 90, 100' Boom - 40 ft	1,200.00		
410624	Sprayer Mount Pkg - Rogator 120' Boom - 40 ft	1,200.00		
410634	Sprayer Mount Pkg - Hagie DTS (2016+) - 40 ft	1,200.00		
410644	Sprayer Mount Pkg - Apache 80, 90, 100' Boom - 40 ft	1,200.00		
410654	Sprayer Mount Pkg - Hagie DTS (Pre-2016), 284, & 2100 - 40 ft	1,200.00		
410664	Sprayer Mount Pkg - JD 4630 - 40 ft	1,200.00		
410684	Sprayer Mount Pkg - JD 4710 - 40 ft	1,200.00		
410694	Sprayer Mount Pkg - JD K&S Aluminum - 40 ft	1,200.00		
410704	Sprayer Mount Pkg - Hagie Delta Boom - 40 ft	1,200.00		
410714	Sprayer Mount Pkg - New Holland Rear Boom, Miller Condor - 40 ft	1,200.00		
410724	Sprayer Mount Pkg - Case IH 2000 Series - 40 ft	1,200.00		

Order Online at <http://dealerstore.360yieldcenter.com>

Prices Subject to Change



Step 1 - Sprayer Mount Package (continued)

60' Boom		Retail Price	Qty	Ext
410506	Sprayer Mount Pkg - JD 4830/4730/4720 - 60 ft	\$ 1,800.00		
410516	Sprayer Mount Pkg - JD 4930/4940 - 60 ft	1,800.00		
410526	Sprayer Mount Pkg - JD R-Series 80, 90, 100' Boom - 60 ft	1,800.00		
410536	Sprayer Mount Pkg - JD R-Series 120' Boom - 60 ft	1,800.00		
410546	Sprayer Mount Pkg - Hagie STS Steel 80, 90, 100' Boom (2000-Cur.) - 60 ft	1,800.00		
410556	Sprayer Mount Pkg - Hagie 120' Aluminum Boom (2012-Cur.) - 60 ft	1,800.00		
410566	Sprayer Mount Pkg - Case IH 120' Boom - 60 ft	1,800.00		
410576	Sprayer Mount Pkg - Case IH 80'-90' Boom - 60 ft	1,800.00		
410586	Sprayer Mount Pkg - Miller Nitro (2008+) - 60 ft	1,800.00		
410596	Sprayer Mount Pkg - New Holland - 60 ft	1,800.00		
410606	Sprayer Mount Pkg - Miller Nitro (Pre-2008) - 60 ft	1,800.00		
410616	Sprayer Mount Pkg - Rogator 80, 90, 100' Boom - 60 ft	1,800.00		
410626	Sprayer Mount Pkg - Rogator 120' Boom - 60 ft	1,800.00		
410636	Sprayer Mount Pkg - Hagie DTS (2016+) - 60 ft	1,800.00		
410646	Sprayer Mount Pkg - Apache 80, 90, 100' Boom - 60 ft	1,800.00		
410666	Sprayer Mount Pkg - JD 4630 - 60 ft	1,800.00		
410686	Sprayer Mount Pkg - JD 4710 - 60 ft	1,800.00		
410696	Sprayer Mount Pkg - JD K&S Aluminum - 60 ft	1,800.00		
410706	Sprayer Mount Pkg - Hagie Delta Boom - 60 ft	1,800.00		
410716	Sprayer Mount Pkg - New Holland Rear Boom, Miller Condor - 60 ft	1,800.00		
410726	Sprayer Mount Pkg - Case IH 2000 Series - 60 ft	1,800.00		

70' Boom		Retail Price	Qty	Ext
410517	Sprayer Mount Pkg - JD 4930/4940 - 70 ft	\$ 2,100.00		
410527	Sprayer Mount Pkg - JD R-Series 80, 90, 100' Boom (66' Maximum) - 70 ft	2,100.00		
410537	Sprayer Mount Pkg - JD R-Series 120' Boom - 70 ft	2,100.00		
410547	Sprayer Mount Pkg - Hagie STS Steel (66' Maximum) Boom - 70 ft	2,100.00		
410557	Sprayer Mount Pkg - Hagie 120' Aluminum Boom - 70 ft	2,100.00		
410587	Sprayer Mount Pkg - Miller Nitro (2008+) - 70 ft	2,100.00		
410597	Sprayer Mount Pkg - New Holland - 70 ft	2,100.00		
410607	Sprayer Mount Pkg - Miller Nitro (Pre-2008) - 70 ft	2,100.00		
410567	Sprayer Mount Pkg - Case IH 120' Boom (66' Maximum) - 70 ft	2,100.00		
410577	Sprayer Mount Pkg - Case IH 80'-90' Boom (66' Maximum) - 70 ft	2,100.00		
410667	Sprayer Mount Pkg - JD 4630 (66' Maximum) - 70 ft	2,100.00		
410697	Sprayer Mount Pkg - JD K&S Aluminum - 70 ft	2,100.00		
410707	Sprayer Mount Pkg - Hagie Delta Boom - 70 ft	2,100.00		

Order Online at <http://dealerstore.360yieldcenter.com>

Prices Subject to Change

360YC Price List v2.9



Step 2 - Boom Assemblies (Boom ÷ 5)+1

		Retail Price	Qty	Ext
415000	Boom Assembly	65.00		

Step 3 - Riser Mount Assemblies (Per Drop)

		Retail Price	Qty	Ext
416000	Riser Mount Assembly	34.00		

Step 4 - Riser Mount Assemblies for Transport (see Chart)

		Retail Price	Qty	Ext
416000	Riser Mount Assembly	34.00		

Step 5 - Breakaway Assemblies (Per Drop)

		Retail Price	Qty	Ext
416200	Y Drop Sprayer Breakaway Assembly	60.00		

Step 6 - Riser Tubes (Per Drop) (see Chart on pg. 4)

		Retail Price	Qty	Ext
416043	Riser Tube - 43 inch	120.00		
416049	Riser Tube - 49 inch	125.00		
416055	Riser Tube - 55 inch	130.00		
416061	Riser Tube - 61 inch	135.00		
416067	Riser Tube - 67 inch	140.00		
416079	Riser Tube - 79 inch	150.00		
416091	Riser Tube - 91 inch	160.00		

Step 7 - Riser Hose Assemblies (Per Drop) (see Chart on pg. 4)

		Retail Price	Qty	Ext
416066	Riser Hose Assembly - 66 Inch	15.00		
416078	Riser Hose Assembly - 78 Inch	16.00		
416090	Riser Hose Assembly - 90 Inch	17.00		
416099	Riser Hose Assembly - 102 Inch	18.00		
416110	Riser Hose Assembly - 114 Inch	19.00		
416111	Riser Hose Assembly - 126 Inch	20.00		

Step 8 - 360 Y-DROP™ Base Units (Per Drop)

		Retail Price	Qty	Ext
413000	360 Y-DROP Base Unit - Conventional (Black)	325.00		
413010	360 Y-DROP Base Unit - High Visibility (Orange)	325.00		

Step 9 - Drag Hoses (Drops*2)

		Retail Price	Qty	Ext
413124	Drag Hose - 24 inch	7.00		
413130	Drag Hose - 30 inch	7.00		
413136	Drag Hose - 36 inch	10.00		
413148	Drag Hose - 44 inch	10.00		

Order Online at <http://dealerstore.360yieldcenter.com>

Prices Subject to Change

360YC Price List v2.10



Step 10 - Orifices/Nozzles (Varies)

		Retail Price	Qty	Ext
418048	Orifice Plate and Washer Kit - 48	3.50		
418057	Orifice Plate and Washer Kit - 57	3.50		
418061	Orifice Plate and Washer Kit - 61	3.50		
418073	Orifice Plate and Washer Kit - 73	3.50		
418078	Orifice Plate and Washer Kit - 78	3.50		
418091	Orifice Plate and Washer Kit - 91	3.50		
418103	Orifice Plate and Washer Kit - 103	3.50		
418110	Orifice Plate and Washer Kit - 110	3.50		
418132	Orifice Plate and Washer Kit - 132	3.50		
418015	Variable Rate Nozzle - TDVRHB015	31.25		
418020	Variable Rate Nozzle - TDVRHB02	31.25		
418030	Variable Rate Nozzle - TDVRHB03	31.25		
418050	Variable Rate Nozzle - TDVRHB05	31.25		

Options and Additional Items

		Retail Price	Qty	Ext
416005	Adapter - Case AIM 40203	5.00		
416107	Riser Tube As - 6" extension top	20.00		
416109	Riser Tube As - 10" Extension Top	30.00		
412191	4 inch nozzle extension	7.15		
* 416505	Y-Drop Display Center	1,400.00		
413070	Y-Drop Wide to Narrow Row Conversion Kit - Black Arms	65.00		
413075	Y-Drop Wide to Narrow Row Conversion Kit - Orange Arms	65.00		

* Not for resale. Dealer discount does not apply to this item.

Order Online at <http://dealerstore.360yieldcenter.com>

Prices Subject to Change

360YC Price List v2.10



SMP Replacement Parts

		Retail Price	Qty	Ext
415007	Y Drop Boom Bracket Kit	45.00		
417039	Extension Tube - 39 inch	35.00		
417045	Extension Tube - 51 inch	40.00		
417101	Y-Drop OEM Boom Mount Bracket Kit - 1-1/4" U-Bolt	36.00		
417102	Y-Drop OEM Boom Mount Bracket Kit - 2" U-Bolt	42.50		
417103	Y-Drop OEM Boom Mount Bracket Kit - 2-1/2" U-Bolt	45.50		
417104	Y-Drop OEM Boom Mount Bracket Kit - 1-1/2" Diamond Bolt	48.50		
417105	Y-Drop OEM Boom Mount Bracket Kit - 1-1/2" Square U-Bolt	50.50		
417107	Y-Drop OEM Boom Mount Bracket Kit -2" Square U-Bolt	50.75		
417108	Y-Drop OEM Boom Mount Bracket Kit -2-1/2" Square U-Bolt	51.25		
417110	Y-Drop OEM Boom Mount Bracket Kit - 3" Square U-Bolt	51.75		
417111	Y-Drop OEM Boom Mount Bracket Kit - 3-1/2" Square U-Bolt	52.25		
417112	Y-Drop OEM Boom Mount Bracket Kit - 5" Diamond Bolt	89.25		
417113	Y-Drop OEM Boom Mount Bracket Kit - 5-3/4" Diamond Bolt	101.25		
417114	Y-Drop OEM Boom Mount Bracket Kit - 6" Square U-Bolt	103.00		
417117	Mount Bracket Kit - Wide R series	52.00		
417118	Mount Bracket Kit - Wide Hagie	92.00		
417119	Mount Bracket Kit - Wide 49 series	220.00		
417120	Y-Drop OEM Boom Mount Bracket Kit - 3" U-bolt	51.50		
417122	Y-Drop OEM Boom Mount Bracket Kit - 6" Flat Plates	55.25		
410801	JD 4730-4830 Center Section Kit	400.00		
410802	JD 4930-4940 Center Section Kit	180.00		
410803	JD R-Series Center Section Kit	190.00		
410804	Hagie STS Center Section Kit	350.00		
410805	Hagie Aluminum 120' Center Section Kit	220.00		
410806	Case 90' Center Section Kit	170.00		
410807	Miller after 2008 Center Section Kit	240.00		
410808	Miller pre 2008 Center Section Kit	680.00		
410809	Rogator 120' Center Section Kit	260.00		
410810	66' Support Bracket Kit	100.00		
410811	JD 4630 Center Section Kit	415.00		
410812	Hagie DTS pre-2016 Center Section Kit	340.00		
410814	JD K&S Aluminum Center Section Kit	220.00		
410817	Hagie Delta Boom Center Section Kit	230.00		
410818	New Holland Rear Boom Center Section Kit	230.00		
410819	Apache Center Section Kit	240.00		
410820	Case High Clearance Center Section	260.00		
415200	Y Drop Yoke Assembly - JD4930/4940, Apache, Delta	150.00		
415206	Yoke Assembly - Hagie STS 120'	150.00		
415010	End cap - 1.25" sq	0.75		

Order Online at <http://dealerstore.360yieldcenter.com>

Prices Subject to Change

360YC Price List v2.10



SMP Replacement Hardware Components

		Retail Price	Qty	Ext
201003	1.25 inch x 3/8 inch U Bolt RIE	8.00		
201010	5/16 inch x 2 inch bolt Zinc	0.75		
201021	2 inch x 3 inch x 3/8 U Bolt RIE	10.50		
201023	2.5 inch x 3/8 inch U bolt RIE	18.00		
201028	3/8 inch x 1.25 inch Carriage Bolt RIE	1.00		
201034	3/8 inch x 3.5 inch Flange bolt RIE	1.85		
201036	3/8 inch x 4.5 inch bolt RIE	2.25		
201037	3/8 inch x 5 inch Bolt	1.90		
201041	3/8 inch x 7.5 inch bolt RIE	6.00		
201048	3/8 inch Nut RIE	0.25		
201059	3/8" Square U Bolt - 2.63 ID, 3.6 Tall, 2.03 Threaded - Grade 8, Coated	19.75		
201060	3/8" Diamond U Bolt - 1.50", 2.12 ID, 2.84" Tall, 2.09 Threaded - Grade 8, Coated	20.50		
201061	3/8" Square U Bolt - 3.18 ID, 4.14 Tall, 2.07 Threaded - Grade 8, Coated	19.95		
201062	3/8" Square U Bolt - 1.50" ID, 3.06" Tall, 2.07 Threaded - Grade 8, Coated	19.50		
201063	3/8" Square U Bolt - 3.43" ID, 4.14" Tall, 2.07 Threaded - Grade 8, Coated	19.75		
201064	3/8" Square U Bolt - 2.00 ID, 3.1 Tall, 2.03 Threaded - Grade 8, Coated	19.50		
201065	3/8" Diamond Bolt - 5.782", 8.135" ID, 6.85" Tall, 5.0 Threaded - Grade 8, Coated	22.00		
201066	3/8" Diamond Bolt - 5.1", 7.125" ID, 6.70" Tall, 4.0 Threaded - Grade 8, Coated	21.25		
201067	Bolt - 3/8" - 9.5" - Grade 5 - Ecoguard	22.00		
201070	3/8" Square U Bolt - 6", 5"	32.00		
201071	5/16" Flange Nut - Grade 8, Coated	0.30		
201072	Nut - Flange lock, 3/8" Grade 8	0.30		
201073	3/8" Diamond Bolt - 4" - Grade 8, Coated	17.25		
207001	Pin - 3/8" stainless steel wire lock (3/816LPSF)	10.25		
207004	5/16 Nut - nylok SS	0.60		
207011	U-bolt - 5/16"x1-3/8", square	4.25		
207014	Bolt - 5/16" Set Screw SS	1.00		
207015	Nut - 5/16" Set Screw Jam Nut SS	0.15		
207017	Washer - Flat, Stainless Steel 3/8"	0.20		
207019	Bolt - Flange, Stainless Steel 3/8"x1-3/4"	4.50		
207037	5/16" Washer - Extra thick - SS	0.40		
207038	3/8" Nylok Nut - SS	0.60		
207044	U-bolt - 5/16"x1-3/8", square, Grade 5	1.70		
412128	Top plate 3 inch for Mounting	13.00		
412129	Top plate 4 inch for Mounting	13.75		
412131	Top plate 6 inch for Mounting	15.50		
412133	Top plate 8 inch for Mounting	17.00		
412135	Top plate 14 inch for Mounting	30.50		
412136	19inch Case Starter Boom Bracket	30.25		
412321	Adapter Plate - 7/8"	51.25		
417049	Drop Bracket	175.00		
417115	Diamond Boom Clamp - Large	20.00		

Order Online at <http://dealerstore.360yieldcenter.com>

Prices Subject to Change

360YC Price List v2.10



SMP Replacement Hardware Components (continued)

		Retail Price	Qty	Ext
417116	Diamond Boom Clamp - Small	15.00		
207039	Y Drop Boom Bracket Hardware Kit	12.25		
207040	Y Drop Boom Bracket Stop Bolt Kit	9.75		
207042	Y-Drop OEM Boom Mount Hardware Kit	10.25		
207043	Hardware Kit for for R Series Wide Mount	12.25		
207084	Hardware Kit for Diamond U-Bolt	7.00		
417100	Y-Drop OEM Boom Bracket Assembly - 1-1/2" to 3-1/2"	23.25		

Boom Assembly Replacement Parts

		Retail Price	Qty	Ext
415001	Boom section - 5 foot	55.00		
415006	Boom Connector Kit	34.00		
207019	Bolt - Flange, Stainless Steel 3/8"x1-3/4"	4.50		
207017	Washer - Flat, Stainless Steel 3/8"	0.20		
207038	3/8" Nylok Nut - SS	0.60		

Riser Mount Assembly Replacement Parts

		Retail Price	Qty	Ext
416001	Bracket Assembly - Riser, Fabrication	29.25		
207011	U-bolt - 5/16"x1-3/8", square	4.25		
207004	5/16 Nut - nylok SS	0.60		
207037	5/16" Washer - Extra thick - SS	0.40		
207001	Pin - 3/8" stainless steel wire lock (3/816LPSF)	10.25		
207041	Hardware Kit for Riser Mount	21.00		

Riser Hose Replacement Parts

		Retail Price	Qty	Ext
412314	Seal - Rubber	0.15		

Drag Hose Replacement Parts

		Retail Price	Qty	Ext
207010	Hose clamp - Screw SS	1.50		

360 Y-DROP Base Unit Replacement Parts

		Retail Price	Qty	Ext
413100	Supply Hose Assembly	25.00		
413022	Y Drop Leg Assembly - Black - Narrow - Right	38.00		
413025	Y Drop Leg Assembly - Black - Narrow - Left	38.00		
413021	Y Drop Leg Assembly - Orange - Narrow - Right	39.50		
413023	Y Drop Leg Assembly - Orange - Narrow - Left	39.50		
207002	Pin - detent, stainless steel w lanyard	9.50		
412315	Y adapter Quick Connect QJ90-2-NYR	9.25		
413009	Plug - Y Drop, rubber	1.50		
207001	Pin - 3/8" stainless steel wire lock (3/816LPSF)	10.25		
413051	Y Drop Shield	20.00		
207035	Screw - #10 1/2" Stainless Steel	0.20		
207006	Screw - stainless steel, 3/4"	0.20		

Order Online at <http://dealerstore.360yieldcenter.com>

Prices Subject to Change

360YC Price List v2.10

Order 360 Y-DROP SIDEDRESS™ Row Kits

STEP 1:

Order the **360 Y-DROP SIDEDRESS™ Row Kits**

PG 14

Quantity Needed: INSIDE - Side Dress Row Kits - Black: # of drops - 2

Quantity Needed: OUTSIDE - Side Dress Row Kits - Orange: 2

Ex: 16 Row Side Dress Toolbar

16 row system = 13 360 Y-DROP SIDEDRESS™ Row Kits - Black

+ 2 360 Y-DROP SIDEDRESS™ Row Kits -Orange

15 Total Y-DROP SIDEDRESS Row Kits

* Kit includes 1 Breakaway assembly, 1 - 12" Riser, 1 Hose Adapter Kit, 1 Y-DROP Base Unit, 2 - 30" Drag Hoses

STEP 2:

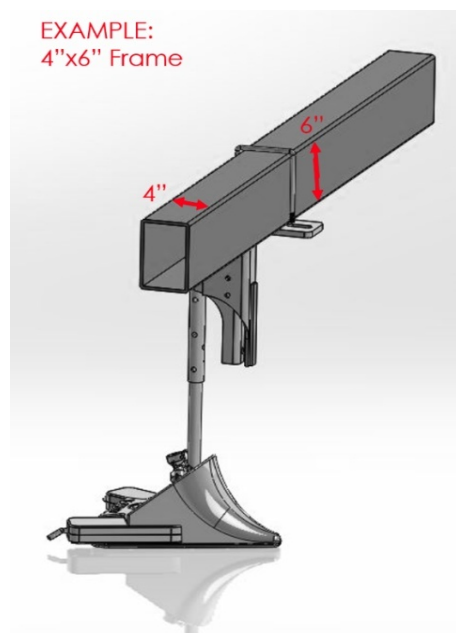
Order the **360 Y-DROP SIDEDRESS™ U-Bolt Mounting Kit**

PG 14

Quantity needed: # of 360 Y-DROP SIDEDRESS Row Kits

Ex: 16 Row Side Dress Toolbar: 15 U-Bolt Mounting Kits

The U-Bolt size is determined by the width of the mounting bar by measuring the width of the bar based on a top-down picture of the side dress tool bar. Example below is a 4" bar width (Part Number 416234)



* Kit includes 1 U-Bolt and hardware.

Order Online at <http://dealerstore.360yieldcenter.com>

Prices Subject to Change

360YC Price List v2.10



Step 1 - 360 Y-DROP SIDEDRESS™ Row Kits (One per Drop)

		Retail Price	Qty	Ext
416220	Y Drop Side Dress Row Kit - Black	435.00		
416225	Y Drop Side Dress Row Kit - Orange	435.00		

Step 2 - 360 Y-DROP SIDEDRESS™ U-Bolt Kit (One per Drop)

		Retail Price	Qty	Ext
416234	Y Drop Side Dress 4"x6" U-Bolt Mounting Kit	15.00		
416235	Y Drop Side Dress 5"x7" U-Bolt Mounting Kit	15.00		
416236	Y Drop Side Dress 6"x4" U-Bolt Mounting Kit	15.00		
416237	Y Drop Side Dress 7"x7" U-Bolt Mounting Kit	15.00		
416238	Y Drop Side Dress 6"x6" U-Bolt Mounting Kit	15.00		
416239	Y Drop Side Dress 7"x7-1/2" U-Bolt Mounting Kit	15.00		
416240	Y Drop Side Dress 7" x 5" U-Bolt Mounting Kit	15.00		

Options and Additional Items

		Retail Price	Qty	Ext
416210	Y Drop Tool Bar Breakaway Assembly	150.00		
416012	Riser Tube - 12" - Side Dress	30.00		
416221	Y Drop Side Dress Hose Adapter Kit	10.00		
* 416250	Y-Drop Side Dress Display Stand	600.00		

* Not for resale. Dealer discount does not apply to this item.



Order a 360 UNDERCOVER™

STEP 1:

Order **360 UNDERCOVER™** units

PG 16

Quantity needed: # of drops

STEP 2:

Order **360 UNDERCOVER™** Hose Assemblies

PG 16

Quantity needed: # of drops

Reference chart to right for needed hose length

Riser Tube	UC Hose
43"	78"
49"	78"
55"	90"
61"	90"
67"	102"
79"	102"
91"	114"

Options and Additional Items

If a short riser is desired for Undercover specific application, the 43" Riser Tube is recommended.

PG 16



Step 1 - 360 UNDERCOVER™ Units

		Retail Price	Qty	Ext
420000	360 UNDERCOVER Base Unit As.	225.00		

Step 2 - 360 UNDERCOVER™ Hose Assemblies

		Retail Price	Qty	Ext
420100	360 UNDERCOVER Hose As. - 78 inch	16.00		
420110	360 UNDERCOVER Hose As. - 90 inch	17.00		
420120	360 UNDERCOVER Hose As. - 102 inch	18.00		
420130	360 UNDERCOVER Hose As. - 114 inch	19.00		

Options and Additional Items

		Retail Price	Qty	Ext
416043	Riser Tube - 43 inch	120.00		

Order Online at <http://dealerstore.360yieldcenter.com>

Prices Subject to Change

360YC Price List v2.10



Order 360 BULLET™ Ripper Points

STEP 1:

Order 360 BULLET™ Ripper Points

PG 18

Quantity needed: One per ripper point

The chart below clarifies the part number corresponding to each model

Model	Shank	Part #
Case IH 870	1 ¼ "	480150
Case IH 875	1 ¼ "	480150
John Deere 512	1 ¼ "	480150
John Deere 2700	1 ¼ "	480150
John Deere 2730	1 ¼ "	480150
Case IH 530	1 ½ "	480160
Case IH 730	1 ½ "	480160

Order Online at <http://dealerstore.360yieldcenter.com>

Prices Subject to Change

360YC Price List v2.10

PG 17



360 BULLET™ Ripper Points

		Retail Price	Qty	Ext
480150	360 Bullet Ripper Point Assembly - Case IH, John Deere - 1-1/4" Shank	130.00		
480160	360 Bullet Ripper Point Assembly - Case IH 530/730 - 1-1/2" Shank	180.00		
480170	360 Bullet Ripper Point Assembly - Landoll 1 1/4" Shank	195.00		

360 BULLET™ Demo Tools

		Retail Price	Qty	Ext
* 480140	360 Bullet - Dealer Demo	65.00		
* 480141	360 Bullet Soil Contour Dealer Display (Comparative Pair)	1,600.00		
* 480142	360 Bullet Soil Contour (Single)	800.00		
* 480143	OEM Soil Contour Display (Single)	800.00		
* 480144	Contour Dealer Display Touch Up Paint	5.00		

* Not for resale. Dealer discount does not apply to this item.



Order 360 CHAINROLL™

STEP 1:

Order the **360 CHAINROLL Kits** for John Deere 600 or John Deere 40/90.

PG 20

Quantity: 1 kit per head row.

Included with purchase:

1 pair of left and right rolls plus necessary hardware per kit



Step 1 - 360 CHAINROLL™ Kits

		Retail Price	Qty	Ext
451101	360 Chainroll Row Unit Kit - JD 600 Series 2012+ (Double Cut)	950.00		
451201	360 Chainroll Row Unit Kit - JD 600 Series 2008-2012 (Double Cut)	950.00		
451302	360 Chainroll Row Unit Kit - JD 40/90 (Double Cut)	950.00		

Order Online at <http://dealerstore.360yieldcenter.com>

Prices Subject to Change

360YC Price List v2.10