



**Combined Fall 2016/Spring 2017
Order & Retail Price Guide**

Issued September 6, 2016



Order a 360 SOILSCAN™

STEP 1:

Order the **360 SOILSCAN™ with Case.**

PG 2

Quantity needed: One

Included with purchase:

- 360 SOILSCAN Unit (with Nitrate Sensor)
- 360 SOILSCAN Case
- 12V Power Cable
- 110V Power Cable
- Lightning to USB Cable
- Lightning 30-pin Adaptor
- NO3-N, 7 pH Standard Solution (20 ppm)
- Bottle, Wash
- Calibration Bottle
- Sample Cups (Pack of 50)
- Soil Scoop
- Mix Rod - Aggressive
- Mixing Sleeve

OTHER:

Accessories as well as replacement parts are available.

PG 2

Note: Ipad 3 or newer is needed for operation with the 360 SOILSCAN Unit.



360 SOILSCAN™ Unit and New Sensor Kits

| | | Retail Price | Qty | Ext |
|--------|--|--------------|-----|-----|
| 431020 | 360 SOILSCAN with Case (Includes Nitrate Sensor) | 4,250.00 | | |
| 431038 | pH Sensor Kit (Sensor, Solution) | 850.00 | | |

360 SOILSCAN™ Accessories and Replacement Parts

| | | Retail Price | Qty | Ext |
|--------|---|--------------|-----|-----|
| 431049 | 2 Tip Replacement Kit (Nitrate & Reference Tips Included) | 150.00 | | |
| 432340 | NO3-N, 7 pH Standard Solution (20 ppm) | 36.00 | | |
| 431035 | NO3-N Tip and Water Test Kit | 36.00 | | |
| 432380 | SoilScan QR Labels - 50 Pack | 25.00 | | |
| 431037 | pH Sensor Assembly (Replacement) | 825.00 | | |
| 432046 | Mix Motor | 250.00 | | |
| 432078 | 110V Power Cable | 105.00 | | |
| 432112 | Pump | 350.00 | | |
| 432176 | Soil Scoop | 20.00 | | |
| 432190 | Bottle, Wash | 15.00 | | |
| 432226 | 12V Power Cable | 40.00 | | |
| 432265 | Mixer Rod - Original | 10.00 | | |
| 432329 | Mixing Rod - Aggressive | 10.00 | | |
| 432291 | Carrying Case | 300.00 | | |
| 432322 | Sample Cups (Pack of 100) | 5.75 | | |
| 432324 | Power Cord, Australia | 10.00 | | |
| 432355 | Calibration Bottle - 4 Compartment | 12.00 | | |
| 432371 | Mixing Sleeve | 5.00 | | |

Order Online at <http://dealerstore.360yieldcenter.com>

Prices Subject to Change

360YC Price List v2017.01



Order a 360 Y-DROP™ System

STEP 1:

Order the **Sprayer Mount Package** from the available models.

PG 6 - 7

Quantity Needed: One

Ex: Sprayer Mount Pkg - JD 4830/4730/4720 - 60 ft

To locate model, determine the length of the 360 Y-Drop system required: 30', 40', 60' or 70' systems.

Refer to the chart below and the technical guide to assist in determining boom length.

Part numbers for available models are 410 __ __ . Refer to chart below for final 3 digits of SMP part number.

| Spacing | Rows | Calculated Boom Feet | Y-Drop Boom Category | JD 4830/4730/4720 | JD 4930/4940 | JD 4710 | JD 4630 | JD R-Series 80, 90, 100' Boom | JD R-Series 120' Booms | Hagie STS Steel 80, 90, 100' Boom (2000-current) | Hagie STS 120' Aluminum Boom (2012-current) | Hagie DTS (pre-2016) | Hagie DTS (2016+) | Case IH 120' Boom | Case IH 80'-90' Boom | Miller Nitro (2008+) | New Holland | Miller Nitro (pre-2008) | ROGATOR 80, 90, 100' Boom | ROGATOR 120' Boom | Apache 80, 90, 100' boom | JD K&S Aluminum | Hagie Delta | New Holland Rear, Miller Condor |
|---------|------|----------------------|----------------------|-------------------|--------------|---------|---------|-------------------------------|------------------------|--|---|----------------------|-------------------|-------------------|----------------------|----------------------|-------------|-------------------------|---------------------------|-------------------|--------------------------|-----------------|-------------|---------------------------------|
| 15 | 48 | 60 | 60 | 506 | 516 | 686 | 666 | 526 | 536 | 546 | 556 | N/A | 636 | 566 | 576 | 586 | 596 | 606 | 616 | 626 | 646 | 696 | 706 | 716 |
| 20 | 36 | 60 | 60 | 506 | 516 | 686 | 666 | 526 | 536 | 546 | 556 | N/A | 636 | 566 | 576 | 586 | 596 | 606 | 616 | 626 | 646 | 696 | 706 | 716 |
| 22 | 24 | 44 | 40 | 504 | 514 | 684 | 664 | 524 | 534 | 544 | 554 | N/A | 634 | 564 | 574 | 584 | 594 | 604 | 614 | 624 | 644 | 694 | 704 | 714 |
| 22 | 32 | 59 | 60 | 506 | 516 | 686 | 666 | 526 | 536 | 546 | 556 | N/A | 636 | 566 | 576 | 586 | 596 | 606 | 616 | 626 | 646 | 696 | 706 | 716 |
| 22 | 36 | 66 | 70 | N/A | 517 | N/A | N/A | 527 | 537 | 547 | 557 | N/A | N/A | 567 | 577 | 587 | 597 | 607 | N/A | N/A | N/A | 697 | 707 | N/A |
| 28 | 32 | 75 | 70 | N/A | 517 | N/A | N/A | N/A | 537 | N/A | 557 | N/A | N/A | N/A | N/A | 587 | 597 | 607 | N/A | N/A | N/A | 697 | 707 | N/A |
| 30 | 12 | 30 | 30 | 503 | 513 | 683 | 663 | 523 | 533 | 543 | 553 | 653 | 633 | 563 | 573 | 583 | 593 | 603 | 613 | 623 | 643 | 693 | 703 | 713 |
| 30 | 16 | 40 | 40 | 504 | 514 | 684 | 664 | 524 | 534 | 544 | 554 | 654 | 634 | 564 | 574 | 584 | 594 | 604 | 614 | 624 | 644 | 694 | 704 | 714 |
| 30 | 24 | 60 | 60 | 506 | 516 | 686 | 666 | 526 | 536 | 546 | 556 | N/A | 636 | 566 | 576 | 586 | 596 | 606 | 616 | 626 | 646 | 696 | 706 | 716 |
| 30 | 32 | 80 | 70 | N/A | 517 | N/A | N/A | N/A | 537 | N/A | 557 | N/A | N/A | N/A | N/A | 587 | 597 | 607 | N/A | N/A | N/A | 697 | 707 | N/A |
| 38 | 12 | 38 | 40 | 504 | 514 | 684 | 664 | 524 | 534 | 544 | 554 | 654 | 634 | 564 | 574 | 584 | 594 | 604 | 614 | 624 | 644 | 694 | 704 | 714 |
| 38 | 16 | 51 | 60 | 506 | 516 | 686 | 666 | 526 | 536 | 546 | 556 | N/A | 636 | 566 | 576 | 586 | 596 | 606 | 616 | 626 | 646 | 696 | 706 | 716 |
| 38 | 24 | 76 | 70 | N/A | 517 | N/A | N/A | N/A | 537 | N/A | 557 | N/A | N/A | N/A | N/A | 587 | 597 | 607 | N/A | N/A | N/A | 697 | 707 | N/A |

Sprayer Mount Packages now include Boom Assemblies and Riser Mount Assemblies for transport.

Last year's steps 2 and 4 are no longer necessary. Depending on your Calculated Boom Feet, several Sprayer Mount Package components may be left unused in your installation. Consider these spare parts for future use. Returns of these parts for credit are not accepted.

STEP 2:

Order the **Breakaway Assemblies - One Piece**

PG 8

Quantity Needed: # of drops

Ex: Sprayer Mount Pkg - JD 4830/4730/4720 - 60 ft

24 row system = 23 Breakaway Assemblies

Breakaway Assemblies - One Piece eliminate the need for a Riser Mount Assembly on each drop.

Step 3 from last year's order guide is eliminated.

Order Online at <http://dealerstore.360yieldcenter.com>

Prices Subject to Change

360YC Price List v2017.01



STEP 3:

Order the **Riser Tubes**

Quantity Needed: # of drops

Reference chart to right for common recommendations.

Ex: Sprayer Mount Pkg - JD 4830/4730/4720 - 60 ft

24 row system = 18 riser tubes at 67", 5 riser tubes at 55"

| Recommended Riser Tube | | |
|------------------------|---------|--------|
| | Outside | Center |
| Apache | 49" | 49" |
| Rogator | 49" | 49" |
| Case | 49" | 49" |
| JD-R series | 55" | 67" |
| JD - 4830/4730/4720 | 67" | 55" |
| JD - 4930/4940 | 55" | 49" |
| JD - 4710 | 55" | 49" |
| JD - 4630 | 49" | 49" |
| Hagie DTS 2016+ | 67" | 67" |
| Hagie DTS pre-2016 | 61" | 61" |
| Hagie STS & Alumin. | 67" | 67" |
| Miller-pre 08 | 67" | 67" |
| Miller-08+/New Hol | 67" | 85" |

PG 8

STEP 4:

Order the **Riser Hose Assemblies**

Quantity Needed: # of drops

Reference chart to right for needed hose length.

Ex: Sprayer Mount Pkg - JD 4830/4730/4720 - 60 ft

24 row system = 18 riser hose assemblies at 114", 5 riser hose assemblies at 102".

Note: Order a Case AIM adapter (#416005) for each hose on Case AIM systems.

| Riser Tube | Hose |
|------------|------|
| 43" | 90" |
| 49" | 90" |
| 55" | 102" |
| 61" | 114" |
| 67" | 114" |
| 79" | 126" |
| 85" | 126" |
| 91" | 126" |

PG 8

STEP 5:

Order the **360 Y-DROP™ Base Units**

Quantity Needed: INSIDE - Conventional (Black) base units: # of drops - 2

Quantity Needed: OUTSIDE - High Visibility (Orange) base units: 2

Ex: Sprayer Mount Pkg - JD 4830/4730/4720 - 60 ft

24 row system = 21 360 Y-DROP™ Conventional base units

+ 2 360 Y-DROP™ High Visibility base units

23 total drops

PG 8

STEP 6:

Order the **Drag Hoses**

Quantity needed: # of drops * 2

Ex: Sprayer Mount Pkg - JD 4830/4730/4720 - 60 ft

24 row system = 23 drops * 2 = 46 drag hoses

Note: Refer to Technical guide for guidance on drag hose length.

PG 8

Order Online at <http://dealerstore.360yieldcenter.com>

Prices Subject to Change

360YC Price List v2017.01



STEP 7:

Order the **Orifices/Nozzles** (optional)

PG 9

Quantity needed: INSIDE: (# of drops * 2) - 2 - See Appendices B and C of technical guide

Quantity needed: OUTSIDE: Two - See Appendices B and C of technical guide

Ex: Sprayer Mount Pkg - JD 4830/4730/4720 - 60 ft

24 row system = (23 drops * 2) - 2 = 44 inside orifices or nozzles

+ 2 outside orifices or nozzles

46 total orifices or nozzles



Step 1 - Sprayer Mount Package

| 30' Boom | | Retail Price | Qty | Ext |
|----------|---|--------------|-----|-----|
| 410503 | Sprayer Mount Pkg - JD 4830/4730/4720 - 30 ft | \$ 1,265.00 | | |
| 410513 | Sprayer Mount Pkg - JD 4930/4940 - 30 ft | 1,265.00 | | |
| 410523 | Sprayer Mount Pkg - JD R-Series 80, 90, 100' Boom - 30 ft | 1,265.00 | | |
| 410533 | Sprayer Mount Pkg - JD R-Series 120' Boom - 30 ft | 1,265.00 | | |
| 410543 | Sprayer Mount Pkg - Hagie STS Steel 80, 90, 100' Boom (2000-Cur.) - 30 ft | 1,265.00 | | |
| 410553 | Sprayer Mount Pkg - Hagie 120' Aluminum Boom (2012-Cur.) - 30 ft | 1,265.00 | | |
| 410563 | Sprayer Mount Pkg - Case IH 120' Boom - 30 ft | 1,265.00 | | |
| 410573 | Sprayer Mount Pkg - Case IH 80'-90' Boom - 30 ft | 1,265.00 | | |
| 410583 | Sprayer Mount Pkg - Miller Nitro (2008+) - 30 ft | 1,265.00 | | |
| 410593 | Sprayer Mount Pkg - New Holland - 30 ft | 1,265.00 | | |
| 410603 | Sprayer Mount Pkg - Miller Nitro (pre-2008) - 30 ft | 1,265.00 | | |
| 410613 | Sprayer Mount Pkg - Rogator 80, 90, 100' Boom - 30 ft | 1,265.00 | | |
| 410623 | Sprayer Mount Pkg - Rogator 120' Boom - 30 ft | 1,265.00 | | |
| 410633 | Sprayer Mount Pkg - Hagie DTS (2016+) - 30 ft | 1,265.00 | | |
| 410643 | Sprayer Mount Pkg - Apache 80, 90, 100' Boom - 30 ft | 1,265.00 | | |
| 410653 | Sprayer Mount Pkg - Hagie DTS (Pre-2016), 284, & 2100 - 30 ft | 1,265.00 | | |
| 410663 | Sprayer Mount Pkg - JD 4630 - 30 ft | 1,265.00 | | |
| 410683 | Sprayer Mount Pkg - JD 4710 - 30 ft | 1,265.00 | | |
| 410693 | Sprayer Mount Pkg - JD K&S Aluminum - 30 ft | 1,265.00 | | |
| 410703 | Sprayer Mount Pkg - Hagie Delta Boom - 30 ft | 1,265.00 | | |
| 410713 | Sprayer Mount Pkg - New Holland Rear Boom, Miller Condor - 30 ft | 1,265.00 | | |

| 40' Boom | | Retail Price | Qty | Ext |
|----------|---|--------------|-----|-----|
| 410504 | Sprayer Mount Pkg - JD 4830/4730/4720 - 40 ft | \$ 1,725.00 | | |
| 410514 | Sprayer Mount Pkg - JD 4930/4940 - 40 ft | 1,725.00 | | |
| 410524 | Sprayer Mount Pkg - JD R-Series 80, 90, 100' Boom - 40 ft | 1,725.00 | | |
| 410534 | Sprayer Mount Pkg - JD R-Series 120' Boom - 40 ft | 1,725.00 | | |
| 410544 | Sprayer Mount Pkg - Hagie STS Steel 80, 90, 100' Boom (2000-Cur.) - 40 ft | 1,725.00 | | |
| 410554 | Sprayer Mount Pkg - Hagie 120' Aluminum Boom (2012-Cur.) - 40 ft | 1,725.00 | | |
| 410564 | Sprayer Mount Pkg - Case IH 120' Boom - 40 ft | 1,725.00 | | |
| 410574 | Sprayer Mount Pkg - Case IH 80'-90' Boom - 40 ft | 1,725.00 | | |
| 410584 | Sprayer Mount Pkg - Miller Nitro (2008+) - 40 ft | 1,725.00 | | |
| 410594 | Sprayer Mount Pkg - New Holland - 40 ft | 1,725.00 | | |
| 410604 | Sprayer Mount Pkg - Miller Nitro (Pre-2008) - 40 ft | 1,725.00 | | |
| 410614 | Sprayer Mount Pkg - Rogator 80, 90, 100' Boom - 40 ft | 1,725.00 | | |
| 410624 | Sprayer Mount Pkg - Rogator 120' Boom - 40 ft | 1,725.00 | | |
| 410634 | Sprayer Mount Pkg - Hagie DTS (2016+) - 40 ft | 1,725.00 | | |
| 410644 | Sprayer Mount Pkg - Apache 80, 90, 100' Boom - 40 ft | 1,725.00 | | |
| 410654 | Sprayer Mount Pkg - Hagie DTS (Pre-2016), 284, & 2100 - 40 ft | 1,725.00 | | |
| 410664 | Sprayer Mount Pkg - JD 4630 - 40 ft | 1,725.00 | | |
| 410684 | Sprayer Mount Pkg - JD 4710 - 40 ft | 1,725.00 | | |
| 410694 | Sprayer Mount Pkg - JD K&S Aluminum - 40 ft | 1,725.00 | | |
| 410704 | Sprayer Mount Pkg - Hagie Delta Boom - 40 ft | 1,725.00 | | |
| 410714 | Sprayer Mount Pkg - New Holland Rear Boom, Miller Condor - 40 ft | 1,725.00 | | |

Order Online at <http://dealerstore.360yieldcenter.com>

Prices Subject to Change



Step 1 - Sprayer Mount Package (continued)

| 60' Boom | | Retail Price | Qty | Ext |
|-----------------|---|---------------------|------------|------------|
| 410506 | Sprayer Mount Pkg - JD 4830/4730/4720 - 60 ft | \$ 2,645.00 | | |
| 410516 | Sprayer Mount Pkg - JD 4930/4940 - 60 ft | 2,645.00 | | |
| 410526 | Sprayer Mount Pkg - JD R-Series 80, 90, 100' Boom - 60 ft | 2,645.00 | | |
| 410536 | Sprayer Mount Pkg - JD R-Series 120' Boom - 60 ft | 2,645.00 | | |
| 410546 | Sprayer Mount Pkg - Hagie STS Steel 80, 90, 100' Boom (2000-Cur.) - 60 ft | 2,645.00 | | |
| 410556 | Sprayer Mount Pkg - Hagie 120' Aluminum Boom (2012-Cur.) - 60 ft | 2,645.00 | | |
| 410566 | Sprayer Mount Pkg - Case IH 120' Boom - 60 ft | 2,645.00 | | |
| 410576 | Sprayer Mount Pkg - Case IH 80'-90' Boom - 60 ft | 2,645.00 | | |
| 410586 | Sprayer Mount Pkg - Miller Nitro (2008+) - 60 ft | 2,645.00 | | |
| 410596 | Sprayer Mount Pkg - New Holland - 60 ft | 2,645.00 | | |
| 410606 | Sprayer Mount Pkg - Miller Nitro (Pre-2008) - 60 ft | 2,645.00 | | |
| 410616 | Sprayer Mount Pkg - Rogator 80, 90, 100' Boom - 60 ft | 2,645.00 | | |
| 410626 | Sprayer Mount Pkg - Rogator 120' Boom - 60 ft | 2,645.00 | | |
| 410636 | Sprayer Mount Pkg - Hagie DTS (2016+) - 60 ft | 2,645.00 | | |
| 410646 | Sprayer Mount Pkg - Apache 80, 90, 100' Boom - 60 ft | 2,645.00 | | |
| 410666 | Sprayer Mount Pkg - JD 4630 - 60 ft | 2,645.00 | | |
| 410686 | Sprayer Mount Pkg - JD 4710 - 60 ft | 2,645.00 | | |
| 410696 | Sprayer Mount Pkg - JD K&S Aluminum - 60 ft | 2,645.00 | | |
| 410706 | Sprayer Mount Pkg - Hagie Delta Boom - 60 ft | 2,645.00 | | |
| 410716 | Sprayer Mount Pkg - New Holland Rear Boom, Miller Condor - 60 ft | 2,645.00 | | |

| 70' Boom | | Retail Price | Qty | Ext |
|-----------------|---|---------------------|------------|------------|
| 410517 | Sprayer Mount Pkg - JD 4930/4940 - 70 ft | \$ 3,105.00 | | |
| 410527 | Sprayer Mount Pkg - JD R-Series 80, 90, 100' Boom (66' Maximum) - 70 ft | 3,105.00 | | |
| 410537 | Sprayer Mount Pkg - JD R-Series 120' Boom - 70 ft | 3,105.00 | | |
| 410547 | Sprayer Mount Pkg - Hagie STS Steel (66' Maximum) Boom - 70 ft | 3,105.00 | | |
| 410557 | Sprayer Mount Pkg - Hagie 120' Aluminum Boom - 70 ft | 3,105.00 | | |
| 410587 | Sprayer Mount Pkg - Miller Nitro (2008+) - 70 ft | 3,105.00 | | |
| 410597 | Sprayer Mount Pkg - New Holland - 70 ft | 3,105.00 | | |
| 410607 | Sprayer Mount Pkg - Miller Nitro (Pre-2008) - 70 ft | 3,105.00 | | |
| 410567 | Sprayer Mount Pkg - Case IH 120' Boom (66' Maximum) - 70 ft | 3,105.00 | | |
| 410577 | Sprayer Mount Pkg - Case IH 80'-90' Boom (66' Maximum) - 70 ft | 3,105.00 | | |
| 410697 | Sprayer Mount Pkg - JD K&S Aluminum - 70 ft | 3,105.00 | | |
| 410707 | Sprayer Mount Pkg - Hagie Delta Boom - 70 ft | 3,105.00 | | |

Order Online at <http://dealerstore.360yieldcenter.com>

Prices Subject to Change

360YC Price List v2017.01



Step 2 - Breakaway Assemblies - One Piece (Per Drop)

| | | Retail Price | Qty | Ext |
|--------|---|--------------|-----|-----|
| 416300 | Y Drop Sprayer Breakaway Assembly - One Piece | 100.00 | | |

Step 3 - Riser Tubes (Per Drop) (see Chart on pg. 4)

| | | Retail Price | Qty | Ext |
|--------|----------------------|--------------|-----|-----|
| 416043 | Riser Tube - 43 inch | 140.00 | | |
| 416049 | Riser Tube - 49 inch | 140.00 | | |
| 416055 | Riser Tube - 55 inch | 140.00 | | |
| 416061 | Riser Tube - 61 inch | 140.00 | | |
| 416067 | Riser Tube - 67 inch | 140.00 | | |
| 416079 | Riser Tube - 79 inch | 140.00 | | |
| 416085 | Riser Tube - 85 inch | 140.00 | | |
| 416091 | Riser Tube - 91 inch | 140.00 | | |

Step 4 - Riser Hose Assemblies (Per Drop) (see Chart on pg. 4)

| | | Retail Price | Qty | Ext |
|--------|--------------------------------|--------------|-----|-----|
| 416066 | Riser Hose Assembly - 66 Inch | 20.00 | | |
| 416078 | Riser Hose Assembly - 78 Inch | 20.00 | | |
| 416090 | Riser Hose Assembly - 90 Inch | 20.00 | | |
| 416099 | Riser Hose Assembly - 102 Inch | 20.00 | | |
| 416110 | Riser Hose Assembly - 114 Inch | 20.00 | | |
| 416111 | Riser Hose Assembly - 126 Inch | 20.00 | | |

Step 5 - 360 Y-DROP™ Base Units (Per Drop)

| | | Retail Price | Qty | Ext |
|--------|---|--------------|-----|-----|
| 413000 | 360 Y-DROP Base Unit - Conventional (Black) | 325.00 | | |
| 413010 | 360 Y-DROP Base Unit - High Visibility (Orange) | 325.00 | | |

Step 6 - Drag Hoses (Drops*2)

| | | Retail Price | Qty | Ext |
|--------|---------------------|--------------|-----|-----|
| 413124 | Drag Hose - 24 inch | 7.50 | | |
| 413130 | Drag Hose - 30 inch | 7.50 | | |
| 413136 | Drag Hose - 36 inch | 7.50 | | |
| 413148 | Drag Hose - 44 inch | 7.50 | | |

Order Online at <http://dealerstore.360yieldcenter.com>

Prices Subject to Change

360YC Price List v2017.01



Step 7- Orifices/Nozzles (Varies)

| | | Retail Price | Qty | Ext |
|--------|------------------------------------|--------------|-----|-----|
| 418048 | Orifice Plate and Washer Kit - 48 | 3.50 | | |
| 418057 | Orifice Plate and Washer Kit - 57 | 3.50 | | |
| 418061 | Orifice Plate and Washer Kit - 61 | 3.50 | | |
| 418073 | Orifice Plate and Washer Kit - 73 | 3.50 | | |
| 418078 | Orifice Plate and Washer Kit - 78 | 3.50 | | |
| 418091 | Orifice Plate and Washer Kit - 91 | 3.50 | | |
| 418103 | Orifice Plate and Washer Kit - 103 | 3.50 | | |
| 418110 | Orifice Plate and Washer Kit - 110 | 3.50 | | |
| 418132 | Orifice Plate and Washer Kit - 132 | 3.50 | | |
| 418015 | Variable Rate Nozzle - TDVREX015 | 35.00 | | |
| 418020 | Variable Rate Nozzle - TDVREX02 | 35.00 | | |
| 418030 | Variable Rate Nozzle - TDVREX03 | 35.00 | | |
| 418050 | Variable Rate Nozzle - TDVREX05 | 35.00 | | |

Options and Additional Items

| | | Retail Price | Qty | Ext |
|----------|--|--------------|-----|-----|
| 416005 | Adapter - Case AIM 40203 | 5.00 | | |
| 416107 | Riser Tube As - 6" extension top | 20.00 | | |
| 416109 | Riser Tube As - 10" Extension Top | 30.00 | | |
| 412191 | 4 inch nozzle extension | 7.15 | | |
| 416000 | Riser Mount Assembly | 35.00 | | |
| 416200 | Y Drop Sprayer Breakaway Assembly | 70.00 | | |
| * 416505 | Y-Drop Display Center | 1,400.00 | | |
| * 416512 | Y-Drop and Undercover Demo Drop | 580.00 | | |
| 413070 | Y-Drop Wide to Narrow Row Conversion Kit - Black Arms | 65.00 | | |
| 413075 | Y-Drop Wide to Narrow Row Conversion Kit - Orange Arms | 65.00 | | |
| 412312 | Black Cap and Gasket - 25608-1-NYR | 1.50 | | |
| 412310 | Hose shank 3/8" Barb - 8400-406-NYB | 1.50 | | |

* Not for resale. Dealer discount does not apply to this item.

Order Online at <http://dealerstore.360yieldcenter.com>

Prices Subject to Change

360YC Price List v2017.01



SMP Replacement Parts

| | | Retail Price | Qty | Ext |
|--------|--|--------------|-----|-----|
| 415007 | Y Drop Boom Bracket Kit | 45.00 | | |
| 417039 | Extension Tube - 39 inch | 35.00 | | |
| 417045 | Extension Tube - 51 inch | 40.00 | | |
| 417101 | Y-Drop OEM Boom Mount Bracket Kit - 1-1/4" U-Bolt | 36.00 | | |
| 417102 | Y-Drop OEM Boom Mount Bracket Kit - 2" U-Bolt | 42.50 | | |
| 417103 | Y-Drop OEM Boom Mount Bracket Kit - 2-1/2" U-Bolt | 45.50 | | |
| 417104 | Y-Drop OEM Boom Mount Bracket Kit - 1-1/2" Diamond Bolt | 48.50 | | |
| 417105 | Y-Drop OEM Boom Mount Bracket Kit - 1-1/2" Square U-Bolt | 50.50 | | |
| 417107 | Y-Drop OEM Boom Mount Bracket Kit -2" Square U-Bolt | 50.75 | | |
| 417108 | Y-Drop OEM Boom Mount Bracket Kit -2-1/2" Square U-Bolt | 51.25 | | |
| 417110 | Y-Drop OEM Boom Mount Bracket Kit - 3" Square U-Bolt | 51.75 | | |
| 417111 | Y-Drop OEM Boom Mount Bracket Kit - 3-1/2" Square U-Bolt | 52.25 | | |
| 417112 | Y-Drop OEM Boom Mount Bracket Kit - 5" Diamond Bolt | 89.25 | | |
| 417113 | Y-Drop OEM Boom Mount Bracket Kit - 5-3/4" Diamond Bolt | 101.25 | | |
| 417114 | Y-Drop OEM Boom Mount Bracket Kit - 6" Square U-Bolt | 103.00 | | |
| 417117 | Mount Bracket Kit - Wide R series | 52.00 | | |
| 417118 | Mount Bracket Kit - Wide Hagie | 92.00 | | |
| 417119 | Mount Bracket Kit - Wide 49 series | 220.00 | | |
| 417120 | Y-Drop OEM Boom Mount Bracket Kit - 3" U-bolt | 51.50 | | |
| 417122 | Y-Drop OEM Boom Mount Bracket Kit - 6" Flat Plates | 55.25 | | |
| 410801 | JD 4730-4830 Center Section Kit | 400.00 | | |
| 410802 | JD 4930-4940 Center Section Kit | 180.00 | | |
| 410803 | JD R-Series Center Section Kit | 190.00 | | |
| 410804 | Hagie STS Center Section Kit | 350.00 | | |
| 410805 | Hagie Aluminum 120' Center Section Kit | 220.00 | | |
| 410806 | Case 90' Center Section Kit | 170.00 | | |
| 410807 | Miller after 2008 Center Section Kit | 240.00 | | |
| 410808 | Miller pre 2008 Center Section Kit | 680.00 | | |
| 410809 | Rogator 120' Center Section Kit | 260.00 | | |
| 410810 | 66' Support Bracket Kit | 100.00 | | |
| 410811 | JD 4630 Center Section Kit | 415.00 | | |
| 410812 | Hagie DTS pre-2016 Center Section Kit | 340.00 | | |
| 410814 | JD K&S Aluminum Center Section Kit | 220.00 | | |
| 410817 | Hagie Delta Boom Center Section Kit | 230.00 | | |
| 410818 | New Holland Rear Boom Center Section Kit | 230.00 | | |
| 410819 | Apache Center Section Kit | 240.00 | | |
| 410820 | Case High Clearance Center Section | 260.00 | | |
| 415200 | Y Drop Yoke Assembly - JD4930/4940, Apache, Delta | 150.00 | | |
| 415206 | Yoke Assembly - Hagie STS 120' | 150.00 | | |
| 415010 | End cap - 1.25" sq | 0.75 | | |
| 415000 | Boom Assembly | 65.00 | | |
| 416000 | Riser Mount Assembly | 35.00 | | |

Order Online at <http://dealerstore.360yieldcenter.com>

Prices Subject to Change



| SMP Replacement Hardware Components | | Retail Price | Qty | Ext |
|-------------------------------------|---|--------------|-----|-----|
| 201003 | 1.25 inch x 3/8 inch U Bolt RIE | 8.00 | | |
| 201010 | 5/16 inch x 2 inch bolt Zinc | 0.75 | | |
| 201021 | 2 inch x 3 inch x 3/8 U Bolt RIE | 10.50 | | |
| 201023 | 2.5 inch x 3/8 inch U bolt RIE | 18.00 | | |
| 201028 | 3/8 inch x 1.25 inch Carriage Bolt RIE | 1.00 | | |
| 201034 | 3/8 inch x 3.5 inch Flange bolt RIE | 1.85 | | |
| 201036 | 3/8 inch x 4.5 inch bolt RIE | 2.25 | | |
| 201037 | 3/8 inch x 5 inch Bolt | 1.90 | | |
| 201041 | 3/8 inch x 7.5 inch bolt RIE | 6.00 | | |
| 201048 | 3/8 inch Nut RIE | 0.25 | | |
| 201059 | 3/8" Square U Bolt - 2.63 ID, 3.6 Tall, 2.03 Threaded - Grade 8, Coated | 19.75 | | |
| 201060 | 3/8" Diamond U Bolt - 1.50", 2.12 ID, 2.84" Tall, 2.09 Threaded - Grade 8, Coated | 20.50 | | |
| 201061 | 3/8" Square U Bolt - 3.18 ID, 4.14 Tall, 2.07 Threaded - Grade 8, Coated | 19.95 | | |
| 201062 | 3/8" Square U Bolt - 1.50" ID, 3.06" Tall, 2.07 Threaded - Grade 8, Coated | 19.50 | | |
| 201063 | 3/8" Square U Bolt - 3.43" ID, 4.14" Tall, 2.07 Threaded - Grade 8, Coated | 19.75 | | |
| 201064 | 3/8" Square U Bolt - 2.00 ID, 3.1 Tall, 2.03 Threaded - Grade 8, Coated | 19.50 | | |
| 201065 | 3/8" Diamond Bolt - 5.782", 8.135" ID, 6.85" Tall, 5.0 Threaded - Grade 8, Coated | 22.00 | | |
| 201066 | 3/8" Diamond Bolt - 5.1", 7.125" ID, 6.70" Tall, 4.0 Threaded - Grade 8, Coated | 21.25 | | |
| 201067 | Bolt - 3/8" - 9.5" - Grade 5 - Ecoguard | 22.00 | | |
| 201070 | 3/8" Square U Bolt - 6", 5" | 32.00 | | |
| 201071 | 5/16" Flange Nut - Grade 8, Coated | 0.30 | | |
| 201072 | Nut - Flange lock, 3/8" Grade 8 | 0.30 | | |
| 201073 | 3/8" Diamond Bolt - 4" - Grade 8, Coated | 17.25 | | |
| 207001 | Pin - 3/8" stainless steel wire lock (3/816LPSF) | 10.25 | | |
| 207004 | 5/16 Nut - nylok SS | 0.60 | | |
| 207011 | U-bolt - 5/16"x1-3/8", square | 4.25 | | |
| 207014 | Bolt - 5/16" Set Screw SS | 1.00 | | |
| 207015 | Nut - 5/16" Set Screw Jam Nut SS | 0.15 | | |
| 207017 | Washer - Flat, Stainless Steel 3/8" | 0.20 | | |
| 207019 | Bolt - Flange, Stainless Steel 3/8"x1-3/4" | 4.50 | | |
| 207037 | 5/16" Washer - Extra thick - SS | 0.40 | | |
| 207038 | 3/8" Nylok Nut - SS | 0.60 | | |
| 207044 | U-bolt - 5/16"x1-3/8", square, Grade 5 | 1.70 | | |
| 412128 | Top plate 3 inch for Mounting | 13.00 | | |
| 412129 | Top plate 4 inch for Mounting | 13.75 | | |
| 412131 | Top plate 6 inch for Mounting | 15.50 | | |
| 412133 | Top plate 8 inch for Mounting | 17.00 | | |
| 412135 | Top plate 14 inch for Mounting | 30.50 | | |
| 412136 | 19inch Case Starter Boom Bracket | 30.25 | | |
| 412321 | Adapter Plate - 7/8" | 51.25 | | |
| 417049 | Drop Bracket | 175.00 | | |
| 417115 | Diamond Boom Clamp - Large | 20.00 | | |

Order Online at <http://dealerstore.360yieldcenter.com>

Prices Subject to Change

360YC Price List v2017.01



SMP Replacement Hardware Components (continued)

| | | Retail Price | Qty | Ext |
|--------|---|--------------|-----|-----|
| 417116 | Diamond Boom Clamp - Small | 15.00 | | |
| 207039 | Y Drop Boom Bracket Hardware Kit | 12.25 | | |
| 207040 | Y Drop Boom Bracket Stop Bolt Kit | 9.75 | | |
| 207042 | Y-Drop OEM Boom Mount Hardware Kit | 10.25 | | |
| 207043 | Hardware Kit for for R Series Wide Mount | 12.25 | | |
| 207084 | Hardware Kit for Diamond U-Bolt | 7.00 | | |
| 417100 | Y-Drop OEM Boom Bracket Assembly - 1-1/2" to 3-1/2" | 23.25 | | |

Boom Assembly Replacement Parts

| | | Retail Price | Qty | Ext |
|--------|--|--------------|-----|-----|
| 415001 | Boom section - 5 foot | 55.00 | | |
| 415006 | Boom Connector Kit | 34.00 | | |
| 207019 | Bolt - Flange, Stainless Steel 3/8"x1-3/4" | 4.50 | | |
| 207017 | Washer - Flat, Stainless Steel 3/8" | 0.20 | | |
| 207038 | 3/8" Nylok Nut - SS | 0.60 | | |

Breakaway/Riser Mount Assembly Replacement Parts

| | | Retail Price | Qty | Ext |
|--------|--|--------------|-----|-----|
| 416001 | Bracket Assembly - Riser, Fabrication | 29.25 | | |
| 207011 | U-bolt - 5/16"x1-3/8", square | 4.25 | | |
| 207004 | 5/16 Nut - nylok SS | 0.60 | | |
| 207037 | 5/16" Washer - Extra thick - SS | 0.40 | | |
| 207001 | Pin - 3/8" stainless steel wire lock (3/816LPSF) | 10.25 | | |
| 207041 | Hardware Kit for Riser Mount | 21.00 | | |
| 416203 | Y Drop Breakaway - Magnet | 12.50 | | |

Riser Hose Replacement Parts

| | | Retail Price | Qty | Ext |
|--------|---|--------------|-----|-----|
| 412314 | Seal - Rubber | 0.15 | | |
| 412324 | Rubber Seals for Hose Assembly/Base Unit - Bag of 100 | 10.50 | | |

Drag Hose Replacement Parts

| | | Retail Price | Qty | Ext |
|--------|-----------------------|--------------|-----|-----|
| 207010 | Hose clamp - Screw SS | 1.50 | | |

360 Y-DROP Base Unit Replacement Parts

| | | Retail Price | Qty | Ext |
|--------|--|--------------|-----|-----|
| 413100 | Supply Hose Assembly | 25.00 | | |
| 413022 | Y Drop Leg Assembly - Black - Narrow - Right | 38.00 | | |
| 413025 | Y Drop Leg Assembly - Black - Narrow - Left | 38.00 | | |
| 413021 | Y Drop Leg Assembly - Orange - Narrow - Right | 39.50 | | |
| 413023 | Y Drop Leg Assembly - Orange - Narrow - Left | 39.50 | | |
| 207002 | Pin - detent, stainless steel w lanyard | 9.50 | | |
| 412315 | Y adapter Quick Connect QJ90-2-NYR | 9.25 | | |
| 413009 | Plug - Y Drop, rubber | 1.50 | | |
| 207001 | Pin - 3/8" stainless steel wire lock (3/816LPSF) | 10.25 | | |
| 413051 | Y Drop Shield | 20.00 | | |
| 207035 | Screw - #10 1/2" Stainless Steel | 0.20 | | |
| 207006 | Screw - stainless steel, 3/4" | 0.20 | | |

Order Online at <http://dealerstore.360yieldcenter.com>

Prices Subject to Change

Order 360 Y-DROP SIDEDRESS™ Row Kits

STEP 1:

Order the **360 Y-DROP SIDEDRESS™ Row Kits**

PG 14

Quantity Needed: INSIDE - Side Dress Row Kits - Black: # of drops - 2

Quantity Needed: OUTSIDE - Side Dress Row Kits - Orange: 2

Ex: 16 Row Side Dress Toolbar

16 row system = 13 360 Y-DROP SIDEDRESS™ Row Kits - Black

+ 2 360 Y-DROP SIDEDRESS™ Row Kits -Orange

15 Total Y-DROP SIDEDRESS Row Kits

* Kit includes 1 Breakaway assembly, 1 - 12" Riser, 1 Hose Adapter Kit, 1 Y-DROP Base Unit, 2 - 30" Drag Hoses

STEP 2:

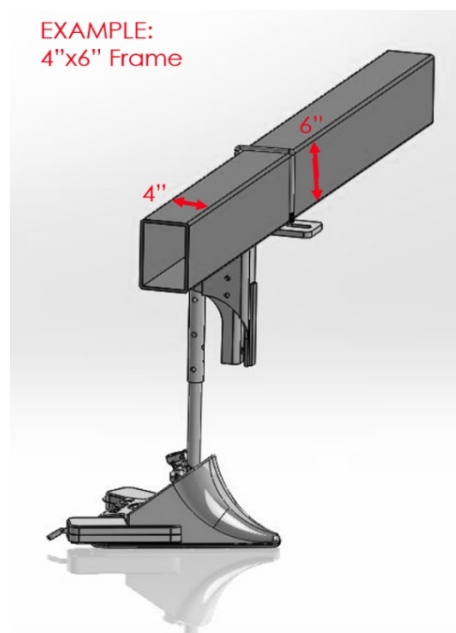
Order the **360 Y-DROP SIDEDRESS™ U-Bolt Mounting Kit**

PG 14

Quantity needed: # of 360 Y-DROP SIDEDRESS Row Kits

Ex: 16 Row Side Dress Toolbar: 15 U-Bolt Mounting Kits

The U-Bolt size is determined by the width of the mounting bar by measuring the width of the bar based on a top-down picture of the side dress tool bar. Example below is a 4" bar width (Part Number 416234)



* Kit includes 1 U-Bolt and hardware.

Order Online at <http://dealerstore.360yieldcenter.com>

Prices Subject to Change

360YC Price List v2017.01



Step 1 - 360 Y-DROP SIDEDRESS™ Row Kits (One per Drop)

| | | Retail Price | Qty | Ext |
|--------|------------------------------------|--------------|-----|-----|
| 416220 | Y Drop Side Dress Row Kit - Black | 435.00 | | |
| 416225 | Y Drop Side Dress Row Kit - Orange | 435.00 | | |

Step 2 - 360 Y-DROP SIDEDRESS™ U-Bolt Kit (One per Drop)

| | | Retail Price | Qty | Ext |
|--------|---|--------------|-----|-----|
| 416233 | Y Drop Side Dress 4"x4" U-Bolt Mounting Kit | 15.00 | | |
| 416234 | Y Drop Side Dress 4"x6" U-Bolt Mounting Kit | 15.00 | | |
| 416235 | Y Drop Side Dress 5"x7" U-Bolt Mounting Kit | 15.00 | | |
| 416236 | Y Drop Side Dress 6"x4" U-Bolt Mounting Kit | 15.00 | | |
| 416237 | Y Drop Side Dress 7"x7" U-Bolt Mounting Kit | 15.00 | | |
| 416238 | Y Drop Side Dress 6"x6" U-Bolt Mounting Kit | 15.00 | | |
| 416239 | Y Drop Side Dress 7"x7-1/2" U-Bolt Mounting Kit | 15.00 | | |
| 416240 | Y Drop Side Dress 7" x 5" U-Bolt Mounting Kit | 15.00 | | |

Options and Additional Items

| | | Retail Price | Qty | Ext |
|----------|------------------------------------|--------------|-----|-----|
| 416210 | Y Drop Tool Bar Breakaway Assembly | 150.00 | | |
| 416012 | Riser Tube - 12" - Side Dress | 30.00 | | |
| 416221 | Y Drop Side Dress Hose Adapter Kit | 10.00 | | |
| * 416250 | Y-Drop Side Dress Display Stand | 600.00 | | |

* Not for resale. Dealer discount does not apply to this item.



Order a 360 UNDERCOVER™

STEP 1:

Order **360 UNDERCOVER™** units

PG 16

Quantity needed: # of drops

STEP 2:

Order **360 UNDERCOVER™** Hose Assemblies

PG 16

Quantity needed: # of drops

Reference chart to right for needed hose length

| Riser Tube | UC Hose |
|------------|---------|
| 43" | 78" |
| 49" | 78" |
| 55" | 90" |
| 61" | 90" |
| 67" | 102" |
| 79" | 102" |
| 85" | 114" |
| 91" | 114" |

Options and Additional Items

If a short riser is desired for Undercover specific application, the 43" Riser Tube is recommended.

PG 16



Step 1 - 360 UNDERCOVER™ Units

| | | Retail Price | Qty | Ext |
|--------|------------------------------|---------------------|------------|------------|
| 420000 | 360 UNDERCOVER Base Unit As. | 225.00 | | |

Step 2 - 360 UNDERCOVER™ Hose Assemblies

| | | Retail Price | Qty | Ext |
|--------|------------------------------------|---------------------|------------|------------|
| 420100 | 360 UNDERCOVER Hose As. - 78 inch | 20.00 | | |
| 420110 | 360 UNDERCOVER Hose As. - 90 inch | 20.00 | | |
| 420120 | 360 UNDERCOVER Hose As. - 102 inch | 20.00 | | |
| 420130 | 360 UNDERCOVER Hose As. - 114 inch | 20.00 | | |

Options and Additional Items

| | | Retail Price | Qty | Ext |
|--------|----------------------|---------------------|------------|------------|
| 416043 | Riser Tube - 43 inch | 140.00 | | |



Order 360 BULLET™ Ripper Points

STEP 1:

Order 360 BULLET™ Ripper Points

PG 18

Quantity needed: One per ripper point

Points included necessary hardware.

The chart below clarifies the part number corresponding to each model:

| Model | Shank | Part # |
|------------------|-------|--------|
| Case IH 870 | 1 ¼ " | 480150 |
| Case IH 875 | 1 ¼ " | 480150 |
| Case IH 527B | 1 ¼ " | 480150 |
| John Deere 510 | 1 ¼ " | 480150 |
| John Deere 512 | 1 ¼ " | 480150 |
| John Deere 2700 | 1 ¼ " | 480150 |
| John Deere 2720 | 1 ¼ " | 480150 |
| John Deere 2730 | 1 ¼ " | 480150 |
| Kuhn Krause 4850 | 1 ¼ " | 480150 |
| Kuhn Krause 4855 | 1 ¼ " | 480150 |
| | | |
| Case IH 530 | 1 ½ " | 480160 |
| Case IH 730 | 1 ½ " | 480160 |
| Case IH 9300 | 1 ½ " | 480160 |
| | | |
| Landoll 2410 | 1 ¼ " | 480170 |
| Landoll 2430 | 1 ¼ " | 480170 |

Order Online at <http://dealerstore.360yieldcenter.com>

Prices Subject to Change

360YC Price List v2017.01

PG 17



360 BULLET™ Ripper Points

| | | Retail Price | Qty | Ext |
|--------|---|--------------|-----|-----|
| 480150 | 360 Bullet Ripper Point Assembly - Case IH, John Deere - 1-1/4" Shank | 160.00 | | |
| 480160 | 360 Bullet Ripper Point Assembly - Case IH 530/730 - 1-1/2" Shank | 180.00 | | |
| 480170 | 360 Bullet Ripper Point Assembly - Landoll 1 1/4" Shank | 195.00 | | |

360 BULLET™ Replacement Parts

| | | Retail Price | Qty | Ext |
|--------|--|--------------|-----|-----|
| 480175 | 360 Bullet Ripper Point Fabrication - 1-1/4" Landoll Shank | 160.00 | | |
| 480177 | Shank Saver - Landoll 1 1/4 Shank | 35.00 | | |
| 207064 | Bolt - 1/2' x 2-3/4" Grade 5, Zinc | 1.00 | | |
| 207050 | Bracket Nut - Top Lock - 1/2" | 0.80 | | |

360 BULLET™ Demo Tools

| | | Retail Price | Qty | Ext |
|----------|---|--------------|-----|-----|
| * 480141 | 360 Bullet Soil Contour Dealer Display (Comparative Pair) | 1,600.00 | | |
| * 480142 | 360 Bullet Soil Contour (Single) | 800.00 | | |
| * 480143 | OEM Soil Contour Display (Single) | 800.00 | | |
| * 480144 | Contour Dealer Display Touch Up Paint | 5.00 | | |

* Not for resale. Dealer discount does not apply to this item.

Order 360 CHAINROLL™

STEP 1:

Order the **360 CHAINROLL Kits** for John Deere 600 or John Deere 40/90.

PG 21

Quantity: **1 kit** per head row. (1 left roll and 1 right roll plus necessary hardware included)

| Hardware Included in Row Kits | |
|--------------------------------------|--------------------|
| Model | Hardware Included |
| 600 Series 2012 + (Part # 451101) | Nuts |
| 600 Series 2008-2012 (Part # 451201) | Nuts and Bolts |
| 40/90 Series (Part # 451302) | Rollpins and Bolts |

STEP 2:

Order the applicable residue knives.

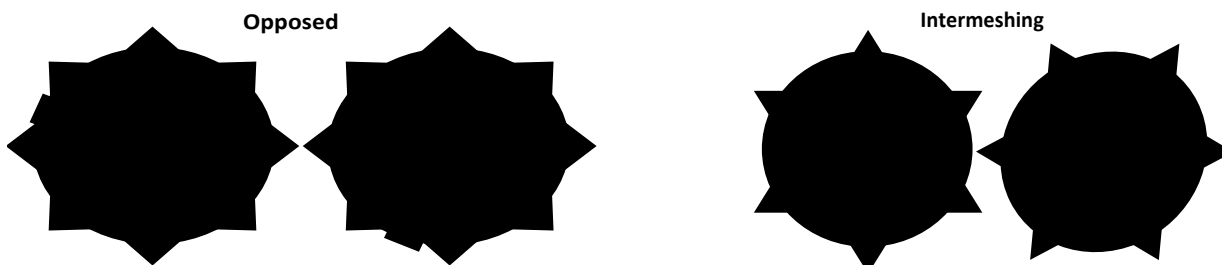
PG 21

Quantity: **1 kit** per head row. (1 left knife and 1 right knife included)

We strongly recommend 360 residue knives be used with all 360 CHAINROLL models. OEM knives can be used in some cases with varying (less desirable) degrees of performance. See Residue Knife Chart below for details. Templates are available to assist with manual reworking of OEM knives in cases where you choose to rework the original OEM knives.

| Residue Knife Chart | | | | |
|---|--------------|---------------------|--|------------------------------------|
| Model | Head Type | OEM Flute Position* | Knife Performance | 360 Residue Knives Kit Part Number |
| 600 Series 2012+ (360 Chainroll Kit Part #451101) | Non-Chopping | Intermeshing | No rework on OEM knives necessary OEM knives will fit but with reduced clearance | 450230 |
| | | Opposed | Strongly encourage purchase of 360 Residue Knives Extensive rework required to use OEM knives | 450230 |
| | Chopping | Intermeshing | Replace OEM knives with 360 knives | 450260 |
| | | Opposed | Replace OEM knives with 360 knives | 450260 |
| 600 Series '08-'12 (360 Chainroll Kit Part # 451201) | Non-Chopping | Intermeshing | No rework on OEM knives necessary OEM knives will fit but with reduced clearance | 450230 |
| | | Opposed | Strongly encourage purchase of 360 Residue Knives Extensive rework required to use OEM knives | 450230 |
| | Chopping | Intermeshing | Replace OEM knives with 360 knives | 450260 |
| | | Opposed | Replace OEM knives with 360 knives | 450260 |
| 40/90 Series (360 Chainroll Kit Part # 451302) | N/A | N/A | Strongly encourage purchase of 360 Residue Knives Extensive rework required to use OEM knives | 450330 |

***Note:** Flute Position on old OEM stalk rolls can be either intermeshing or opposed.



Order Online at <http://dealerstore.360yieldcenter.com>

Prices Subject to Change

360YC Price List v2017.01

DEALER TOOL:

PG 21

The **360 CHAINROLL Puller Kit** is available as a dealer install tool.

The 360 CHAINROLL Puller Kit Includes:

Complete hydraulic puller with extension and arms, a hardware tool kit including drivers, shims, and anti-seize, and a molded carrying case.

OTHER ITEMS AND REPLACEMENT PARTS:

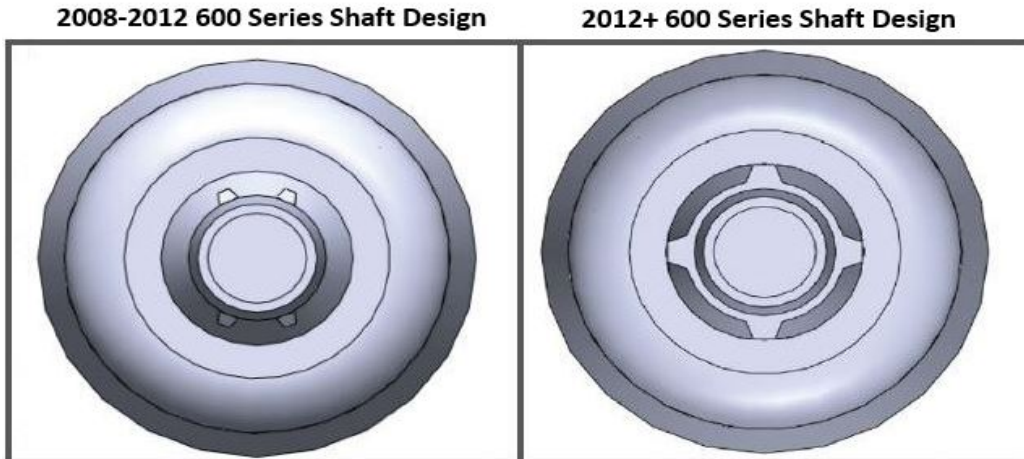
Supplies and replacement parts for both the **360 CHAINROLL** and the **360 CHAINROLL Puller** are available.

Other notes and suggestions:

Thread locker is no longer needed on hardware.

Anti-seize should be used on the corn head shaft when the roll is installed. Anti-seize is not included in the CHAINROLL kits, and should be ordered separately. One 8 oz bottle is included in the Puller Kit.

Pay special attention to your 600 series shaft design to ensure the proper roll design is purchased and installed.





Step 1 - 360 CHAINROLL™ Kits

| | | Retail Price | Qty | Ext |
|--------|---|--------------|-----|-----|
| 451101 | 360 Chainroll Row Unit Kit - JD 600 Series 2012+ (Double Cut) | 950.00 | | |
| 451201 | 360 Chainroll Row Unit Kit - JD 600 Series 2008-2012 (Double Cut) | 950.00 | | |
| 451302 | 360 Chainroll Row Unit Kit - JD 40/90 (Double Cut) | 950.00 | | |

Step 2 - 360 CHAINROLL™ Residue Knives

| | | Retail Price | Qty | Ext |
|--------|--|--------------|-----|-----|
| 450230 | 360 Chainroll Residue Knife - JD 600 Series Kit | 95.00 | | |
| 450330 | 360 Chainroll Residue Knife - JD 40/90 Kit | 95.00 | | |
| 450260 | 360 Chainroll Residue Knife - JD 600 Chopping Head Kit | 105.00 | | |

360 CHAINROLL™ Puller Complete Kit (Dealer Tool)

| | | Retail Price | Qty | Ext |
|----------|--------------------------|--------------|-----|-----|
| * 450150 | 360 Chainroll Puller Kit | 750.00 | | |

Supplies and Replacement Parts

| | | Retail Price | Qty | Ext |
|----------|--|--------------|-----|-----|
| 450240 | 360 Chainroll Residue Knife - JD 600 Series - Left | 47.50 | | |
| 450250 | 360 Chainroll Residue Knife - JD 600 Series - Right | 47.50 | | |
| 450270 | 360 Chainroll Residue Knife - JD 600 Series Chopping - Right | 57.50 | | |
| 450280 | 360 Chainroll Residue Knife - JD 600 Series Chopping - Left | 57.50 | | |
| 450340 | 360 Chainroll Residue Knife - JD 40/90 Series - Left | 47.50 | | |
| 450350 | 360 Chainroll Residue Knife - JD 40/90 Series - Right | 47.50 | | |
| * 207031 | Anti-Seize, Silver 8 oz Bottle | 15.00 | | |

* Not for resale. Dealer discount does not apply to this item.

Order 360 YIELDSAVER™

STEP 1:

Order the **360 YIELDSAVER™ Row Chain Kits**

PG 23

Quantity Needed: **1 Kit per Row Head**

Ex: 8 Row John Deere 90 Series Corn Head = 8 Row Chain Kits (Part Number 460130)

Reference the Chart below for correct chain kit selection.

STEP 2:

Order the **360 YIELDSAVER™ Row Brush Kits**

PG 23

Quantity Needed: **1 Kit per Row Head**

Ex: 8 Row John Deere 90 Series Corn Head = 8 Row Brush Kits (Part Number 460210)

Reference the Chart below for correct brush kit selection.

| Row Chain and Brush Selection Guide <small>(Pricing May Vary Based on # of Links and Blocks)</small> | | | | | | | |
|--|--------------------|-------------|---------------------------|-------------------|---------------------------|-------------------------------|-----------------|
| Make | Model | Chain Model | Row Chain Kit (1 Per Row) | | Row Brush Kit (1 Per Row) | | |
| | | | Chain Kit Part # | # of Links | Brush Kit Part # | Brush Blocks (Right and Left) | Crop Lug Blocks |
| Case | 1000 | CA555 | 460130 | 48 Left, 48 Right | 460210 | 19 - 460201, 19 - 460202 | 13 - 460204 |
| | 2000 | CA555 | 460130 | 48 Left, 48 Right | 460210 | 19 - 460201, 19 - 460202 | 13 - 460204 |
| | 3000 | CA555 | 460130 | 48 Left, 48 Right | 460210 | 19 - 460201, 19 - 460202 | 13 - 460204 |
| | 4000 | 30mm | 460140 | 76 Left, 76 Right | 460230 | 31 - 460231, 31 - 460232 | 17 - 460233 |
| Deere | 40 | CA555 | 460130 | 48 Left, 48 Right | 460210 | 19 - 460201, 19 - 460202 | 13 - 460204 |
| | 90 | CA555 | 460130 | 48 Left, 48 Right | 460210 | 19 - 460201, 19 - 460202 | 13 - 460204 |
| | 8 tooth 600 old | CA620E | 460110 | 48 Left, 48 Right | 460250 | 19 - 460201, 19 - 460202 | 13 - 460203 |
| | 6 tooth 600 new | CA620M | 460100 | 48 Left, 48 Right | 460200 | 19 - 460205, 19 - 460206 | 13 - 460203 |
| Geringhoff | North Star 20" | 30mm | 460150 | 72 Left, 72 Right | 460240 | 29 - 460231, 29 - 460232 | 17 - 460233 |
| | North Star 30" | 30mm | 460140 | 76 Left, 76 Right | 460230 | 31 - 460231, 31 - 460232 | 17 - 460233 |
| | Rota Disc 20" | 30mm | 460150 | 72 Left, 72 Right | 460240 | 29 - 460231, 29 - 460232 | 17 - 460233 |
| | Rota Disc 30" | 30mm | 460140 | 76 Left, 76 Right | 460230 | 31 - 460231, 31 - 460232 | 17 - 460233 |
| | Cornstar 20" | 30mm | 460150 | 72 Left, 72 Right | 460240 | 29 - 460231, 29 - 460232 | 17 - 460233 |
| | Cornstar 30" | 30mm | 460140 | 76 Left, 76 Right | 460230 | 31 - 460231, 31 - 460232 | 17 - 460233 |
| | PC | 30mm | 460150 | 72 Left, 72 Right | 460240 | 29 - 460231, 29 - 460232 | 17 - 460233 |

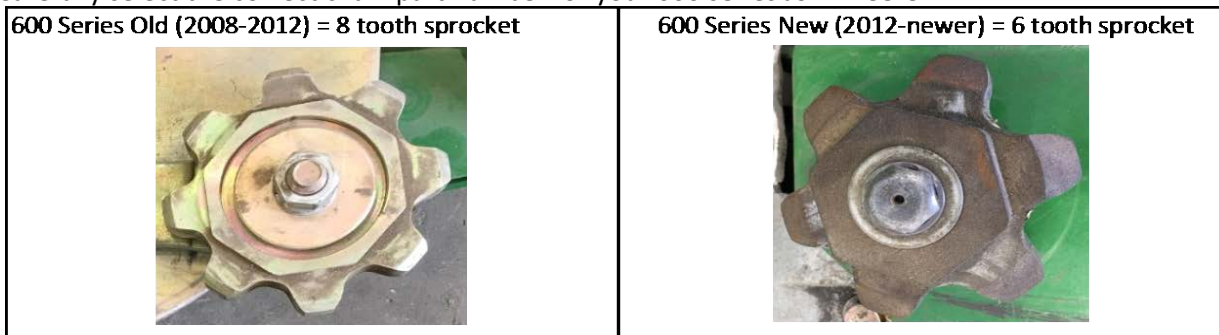
Included with Purchase of all Kits:

Row Chain Kits: One left side chain and one right side chain, complete with named number of links. Each chain is already pre-assembled with crop lugs in place. The number of links named represent the total number of links including roller links, pin links, and crop lugs.

Row Brush Kits: Left brush blocks, Right brush blocks, and crop lug blocks. One spare of each is included in each Kit.

i.e. Brush Kit 460210 is used with the 48 link chain (Chain Kit 460130). 18 Right Brush Blocks, 18 Left Brush Blocks, and 12 Crop Lug Blocks will be installed on each row, and a spare of 1 block each is included in the kit. Including spares, total Qty is 51 in this example.

Note: Carefully select the correct chain part number for your 600 series John Deere.



Order Online at <http://dealerstore.360yieldcenter.com>

Prices Subject to Change

360YC Price List v2017.01



Step 1 - 360 YIELDSAVER™ Row Chain Kits

| | | Retail Price | Qty | Ext |
|--------|---|--------------|-----|-----|
| 460100 | 360 Yield Saver CA620M Row Chain Kit - 48 Links | 325.00 | | |
| 460110 | 360 Yield Saver CA620E Row Chain Kit - 48 Links | 325.00 | | |
| 460130 | 360 Yield Saver CA555 Row Chain Kit - 48 Links | 325.00 | | |
| 460140 | 360 Yield Saver 30mm Row Chain Kit - 76 Links | 350.00 | | |
| 460150 | 360 Yield Saver 30mm Row Chain Kit - 72 Links | 330.00 | | |

Step 2 - 360 YIELDSAVER™ Row Brush Kits

| | | Retail Price | Qty | Ext |
|--------|---|--------------|-----|-----|
| 460200 | 360 Yield Saver Row Brush Kit - CA620M 48 Links | 275.00 | | |
| 460250 | 360 Yield Saver Row Brush Kit - CA620E 48 Links | 275.00 | | |
| 460210 | 360 Yield Saver Row Brush Kit - CA555 48 Links | 275.00 | | |
| 460230 | 360 Yield Saver Row Brush Kit - 30 mm 76 Links | 375.00 | | |
| 460240 | 360 Yield Saver Row Brush Kit - 30 mm 72 Links | 355.00 | | |

360 YIELDSAVER™ Replacement Parts

| | | Retail Price | Qty | Ext |
|--------|---|--------------|-----|-----|
| 460201 | Brush Block - CA620E, CA555 - Right | 6.00 | | |
| 460202 | Brush Block - CA620E, CA555 - Left | 6.00 | | |
| 460203 | Brush Block - CA620M, CA620E Crop Lug Block | 6.00 | | |
| 460204 | Brush Block - CA555 Crop Lug Block | 6.00 | | |
| 460205 | Brush Block - CA620M - Right | 6.00 | | |
| 460206 | Brush Block - CA620M - Left | 6.00 | | |
| 460231 | Brush Block - 30mm - Right | 6.00 | | |
| 460232 | Brush Block - 30mm - Left | 6.00 | | |
| 460233 | Brush Block - 30mm Crop Lug Block | 6.00 | | |

Options and Additional Items

| | | Retail Price | Qty | Ext |
|----------|--|--------------|-----|-----|
| * 460000 | 360 Yield Saver Marketing Display | 100.00 | | |
| * 460300 | 360 Yield Saver Block Installation Kit | 5.00 | | |

* Not for resale. Dealer discount does not apply to this item.

Order Online at <http://dealerstore.360yieldcenter.com>

Prices Subject to Change

360YC Price List v2017.01

Order a 360 EQUI-FLOW™ System

| | |
|---|--|
| Toolbar Brand / model to be installed on | |
| # of rows on toolbar | |
| # of toolbar sections to be installed | |
| Row spacing (in inches) | |
| Estimated speed (mph) | |
| Application rate (#N/acre) | |
| Season(s) of use? (fall, spring, summer) | |
| Supply line size from nurse tanks? (1 1/4", 1 1/2") | |
| Controller make & model | |
| Guage tree wanted (yes / no) | |
| N-Serve Injection Kit (yes / no) | |

Step 1 - 360 EQUI-FLOW™ Base Unit

Select the **EQUI-FLOW Base Unit**

Quantity needed: One

| | |
|--------|--------------------------------|
| 472000 | 360 Equi-Flow Gen II Base Unit |
|--------|--------------------------------|

Step 2 - Supply Line Fittings

Select the supply line fittings from the nurse tank to tower. Must match supply line sizing.

Quantity needed: a fitting is needed for one supply line, with a plug for the other

| | |
|--------|--|
| 470631 | Reducer - 2" - 1-1/2" |
| 470632 | Reducer - 2" - 1-1/4" |
| 470633 | 2" Plug |
| 470634 | 1-1/2" MPT to FPT elbow |
| 470635 | 1-1/4" MPT to FPT elbow |
| 470639 | Swivel - 1-1/4" Female Adapter to Male Pipe Thread |
| 470636 | Swivel - 1-1/2" Female Adapter to Male Pipe Thread |

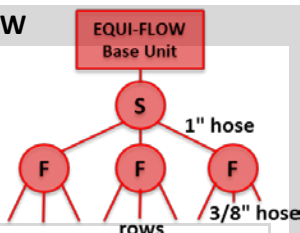
If you intend to install sectional control, use the left column, if a single toolbar section use the right column.

SPLITTER → FLOW DIVIDER → ROW

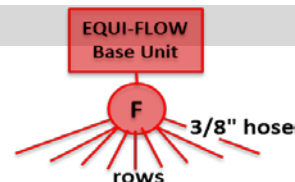
Step 3 - Port Splitter

Select the relevant port splitter

Quantity needed: one



FLOW DIVIDER → ROW



| | |
|--------|--------------------------------|
| 470600 | 4 Port Splitter Connection Kit |
| 470601 | 6 Port Splitter Connection Kit |
| 470602 | 2-Section Tee Splitting Kit |

* **Note:** Plumbing two sections directly from the base unit can be achieved with a 2 Section Tee Splitting Kit

Order Online at <http://dealerstore.360yieldcenter.com>

Prices Subject to Change

360YC Price List v2017.01

Step 4 - Splitter Fitting Kits

Select type of fittings to be used in the splitter

Quantity needed: the total fittings + plugs must equal the total # of ports (both used and unused) on the selected splitter.

| | |
|--------|---------------------------------------|
| 470651 | Swivel - 1" x 1" Male to Female - NPT |
| 470652 | Swivel - 1" 45 Deg Elbow |
| 470653 | Swivel - 1" 90 Deg Elbow |
| 470654 | 1" Plug |

Step 5 - 1" Anhydrous Hose

Select the length of 1" section supply line from splitters to section flow dividers. All sections should use equal length hose.

Quantity needed: same quantity as # of flow dividers

| | |
|--------|-------------------------|
| 471010 | 10' - 1" Anhydrous Hose |
| 471015 | 15' - 1" Anhydrous Hose |
| 471020 | 20' - 1" Anhydrous Hose |
| 471025 | 25' - 1" Anhydrous Hose |
| 471030 | 30' - 1" Anhydrous Hose |

Step 6S - Flow Divider

Select type of flow divider to be used for each section. Each section should use a flow divider with the same # of ports.

Quantity needed: one per section, as desired

| | |
|--------|--------------------------------|
| 470606 | IP-0600 - 6 port flow divider |
| 470613 | IP-1300 - 13 port flow divider |
| 470618 | IP-1800 - 18 port flow divider |

Step 7 - Section Components

Part A - Section Accessories Kit

Select the framework for the section kit.

Quantity needed: one per section

| | |
|--------|--------------------------------------|
| 470640 | Section Accesories Kit - 12" Bracket |
| 470641 | Section Accesories Kit - 18" Bracket |

Part B - Section Strainer Kits

Select flow divider strainer kits.

Quantity needed: one per section

| | |
|--------|----------------------|
| 470655 | Section Strainer Kit |
|--------|----------------------|

Step 6F - Flow Divider

Select flow divider unit

Quantity needed: one

| | |
|--------|---|
| 470610 | 13 port Flow Divider & Base Unit Connection Kit |
| 470611 | 18 port Flow Divider & Base Unit Connection Kit |

Part C - Inline Orifice Filters

Select in-line orifice filters.

Quantity needed: one per each plumbed row into flow dividers, on the base unit or on the section flow dividers

| | |
|--------|------------------------|
| 470670 | Orifice Plate Strainer |
|--------|------------------------|

Step 7 - Section Components (Continued)

Part D - Section Control Harnesses

Select the section control harnesses reaching from the on/off valve to the flow adapter cable.

Quantity needed: one per section kit

| | |
|--------|---|
| 470520 | Section Control Extension Harness - 30 ft |
| 470521 | Section Control Extension Harness - 20 ft |
| 470522 | Section Control Extension Harness - 40 ft |

steps merge at this point

Step 8 - Flow Divider Fittings

Select number of flow divider accessory kits to be plumbed into flow divider

Quantity needed: the number of Accessory Kits should equal the number of rows on the toolbar. (i.e. 24 row bar requires 24 kits).

| | |
|--------|--|
| 470660 | Flow Divider Accessory Kit - No Gauge Tree |
| 470665 | Flow Divider Accessory Kit - Gauge Tree |

Step 9 - Orifices

Select orifice size. See orifice selection guide.

Quantity needed: one for each application row plumbed to flow divider

| | |
|--------|---------------------|
| 418215 | Orifice Plate - 115 |
| 418210 | Orifice Plate - 110 |
| 418203 | Orifice Plate - 103 |
| 418298 | Orifice Plate - 98 |
| 418295 | Orifice Plate - 95 |
| 418293 | Orifice Plate - 93 |
| 418291 | Orifice Plate - 91 |
| 418289 | Orifice Plate - 89 |
| 418286 | Orifice Plate - 86 |
| 418283 | Orifice Plate - 83 |
| 418281 | Orifice Plate - 81 |
| 418278 | Orifice Plate - 78 |
| 418275 | Orifice Plate - 75 |
| 418273 | Orifice Plate - 73 |
| 418270 | Orifice Plate - 70 |

Order Online at <http://dealerstore.360yieldcenter.com>

Prices Subject to Change

360YC Price List v2017.01

Step 9 - Orifices 9 (Continued)

| | |
|--------|--------------------|
| 418267 | Orifice Plate - 67 |
| 418265 | Orifice Plate - 65 |
| 418263 | Orifice Plate - 63 |
| 418261 | Orifice Plate - 61 |

Step 10 - 3/8" EPDM Black Fertilizer Hose

Select 3/8" fertilizer line to connect knives to flow divider(s). Shipped in one bulk roll. All rows should use equal length hose.

Quantity needed: as measured

| | |
|--------|---|
| 471150 | 500 ft roll - 3/8" EPDM Black Fertilizer Hose |
|--------|---|

Step 11 - Warm Knife Tubes (Optional)

Select type of warm knife tubes wanted.

Quantity needed: number of rows

| | |
|--------|-------------------------------|
| 471300 | Warm Knife Tubes - 3/16" O.D. |
| 471310 | Warm Knife Tubes - 1/4" O.D. |

| Diameter | Knives |
|----------|------------------------|
| 3/16" | bent 3/8" AA tubes |
| 1/4" | straight 3/8" AA tubes |

Step 12 - Gauge Tree (Optional)

Part A - Gauge Tree Stand

Order a gauge tree stand. It provides the framework for the tree.

Quantity needed: one

| | |
|--------|------------------|
| 471500 | Gauge Tree Stand |
|--------|------------------|

Part B - Gauge Tree Kits

Select type of pressure gauge trees desired

Quantity needed: one

| | |
|--------|-----------------------------|
| 471518 | Up to 18 Row Gauge Tree Kit |
| 471526 | Up to 26 Row Gauge Tree Kit |

Part C - Pressure Gauge Kits

Select pressure gauge kits

Quantity needed: one gauge kit per row

| | |
|--------|-----------|
| 471530 | Gauge Kit |
|--------|-----------|

Part D - 1/4" EVA Tubing

Select 1/4" EVA tubing to go from gauge tree to flow divider(s). Shipped in one bulk row.

Quantity needed: sum of distances for each row from the flow divider to the gauge tree

| | |
|--------|-------------------------------|
| 471210 | 100 ft roll - 1/4" EVA Tubing |
| 471250 | 500 ft roll - 1/4" EVA Tubing |

ADDITIONAL OPTIONS

1/2" Hydraulic Supply Line

Select 1/2" hydraulic supply line. Only to be used for the single hose supplying hydraulic fluid to the pump.

Quantity needed: one

| | |
|--------|---------------------------|
| 473005 | 1/2" Hydraulic Hose - 15' |
| 473006 | 1/2" Hydraulic Hose - 20' |
| 473007 | 1/2" Hydraulic Hose - 25' |
| 473008 | 1/2" Hydraulic Hose - 30' |

3/4" Hydraulic Return Line

Select 3/4" hydraulic return line. Only to be used for the single hose returning hydraulic fluid to the sump/case drain on tractor.

Quantity needed: one

| | |
|--------|---------------------------|
| 473015 | 3/4" Hydraulic Hose - 15' |
| 473016 | 3/4" Hydraulic Hose - 20' |
| 473017 | 3/4" Hydraulic Hose - 25' |
| 473018 | 3/4" Hydraulic Hose - 30' |

N-serve Injection Adapter Port Kits

Select N-serve injection adapter port kits.

Quantity needed: one

| | |
|--------|------------------------------------|
| 471700 | N Serve Injection Adapter Port Kit |
|--------|------------------------------------|

Vapor/Bleeder Manifold Kit

Select Vapor/Bleeder Manifold Kit.

Quantity needed: one

| | |
|--------|---------------------|
| 473030 | Vapor / Bleeder Kit |
|--------|---------------------|

Pressure Transducers

Select pressure transducers to be used with the system. Two plugged ports are available on the base unit.

Quantity needed: up to two

| | |
|--------|---------------------|
| 471601 | Pressure Transducer |
|--------|---------------------|

Flow Adapter Cables

Select flow adapter cables. These connect from the base unit to the extension harness. Extension harnesses are not provided. If the cable that you need is not listed below please call 360 Yield Center Product support to connect to an engineer to develop a cable for your needs.

Quantity needed: one

| | |
|--------|--|
| 470503 | Connection Cable - John Deere Flow Cable Adapter - Single Section |
| 470508 | Connection Cable - John Deere Flow Cable Adapter - 4 Section Toolbar |
| 470509 | Connection Cable - John Deere Flow Cable Adapter - 6 Section Toolbar |
| 470523 | Raven Harness, Master/On/Off Valve Pin Out |
| 470524 | Raven Harness, Control Valve Pin Outs |
| 470525 | Raven Harness, Flow Meter Pin Outs |

Order Online at <http://dealerstore.360yieldcenter.com>

Prices Subject to Change



Step 1: 360 EQUI-FLOW™ Base Unit

| | | Retail Price | Qty | Ext |
|--------|--------------------------------|--------------|-----|-----|
| 472000 | 360 Equi-Flow Gen II Base Unit | 10,400.00 | | |

Step 2: Supply Line Fittings

| | | Retail Price | Qty | Ext |
|--------|--|--------------|-----|-----|
| 470631 | Reducer - 2" - 1-1/2" | 28.00 | | |
| 470632 | Reducer - 2" - 1-1/4" | 27.00 | | |
| 470633 | 2" Plug | 18.00 | | |
| 470634 | 1-1/2" MPT to FPT elbow | 64.00 | | |
| 470635 | 1-1/4" MPT to FPT elbow | 26.00 | | |
| 470639 | Swivel - 1-1/4" Female Adapter to Male Pipe Thread | 12.00 | | |
| 470636 | Swivel - 1-1/2" Female Adapter to Male Pipe Thread | 15.00 | | |

Step 3: Port Splitter

| | | Retail Price | Qty | Ext |
|--------|--------------------------------|--------------|-----|-----|
| 470600 | 4 Port Splitter Connection Kit | 531.00 | | |
| 470601 | 6 Port Splitter Connection Kit | 604.00 | | |
| 470602 | 2-Section Tee Splitting Kit | 75.00 | | |

Step 4: Splitter Fitting Kits

| | | Retail Price | Qty | Ext |
|--------|---------------------------------------|--------------|-----|-----|
| 470651 | Swivel - 1" x 1" Male to Female - NPT | 10.00 | | |
| 470652 | Swivel - 1" 45 Deg Elbow | 14.00 | | |
| 470653 | Swivel - 1" 90 Deg Elbow | 14.00 | | |
| 470654 | 1" Plug | 5.00 | | |

Step 5: 1" Anhydrous Hose

| | | Retail Price | Qty | Ext |
|--------|-------------------------|--------------|-----|-----|
| 471010 | 10' - 1" Anhydrous Hose | 140.00 | | |
| 471015 | 15' - 1" Anhydrous Hose | 210.00 | | |
| 471020 | 20' - 1" Anhydrous Hose | 280.00 | | |
| 471025 | 25' - 1" Anhydrous Hose | 350.00 | | |
| 471030 | 30' - 1" Anhydrous Hose | 420.00 | | |

Step 6S: Flow Divider (Splitter → Flow Divider → Rows)

| | | Retail Price | Qty | Ext |
|--------|--------------------------------|--------------|-----|-----|
| 470606 | IP-0600 - 6 port flow divider | 408.00 | | |
| 470613 | IP-1300 - 13 port flow divider | 500.00 | | |
| 470618 | IP-1800 - 18 port flow divider | 679.00 | | |

Step 6F: Flow Divider (Flow Divider → Rows)

| | | Retail Price | Qty | Ext |
|--------|---|--------------|-----|-----|
| 470610 | 13 port Flow Divider & Base Unit Connection Kit | 535.00 | | |
| 470611 | 18 port Flow Divider & Base Unit Connection Kit | 715.00 | | |

Order Online at <http://dealerstore.360yieldcenter.com>

Prices Subject to Change

360YC Price List v2017.01



Step 7: Section Components

| | | Retail Price | Qty | Ext |
|--------|---|--------------|-----|-----|
| 470640 | Section Accesories Kit - 12" Bracket | 750.00 | | |
| 470641 | Section Accesories Kit - 18" Bracket | 750.00 | | |
| 470655 | Section Strainer Kit | 554.00 | | |
| 470670 | Orifice Plate Strainer | 13.00 | | |
| 470520 | Section Control Extension Harness - 30 ft | 75.00 | | |
| 470521 | Section Control Extension Harness - 20 ft | 75.00 | | |
| 470522 | Section Control Extension Harness - 40 ft | 75.00 | | |

Step 8: Flow Divider Fittings

| | | Retail Price | Qty | Ext |
|--------|--|--------------|-----|-----|
| 470660 | Flow Divider Accessory Kit - No Gauge Tree | 32.00 | | |
| 470665 | Flow Divider Accessory Kit - Gauge Tree | 40.00 | | |

Step 9: Orifices

| | | Retail Price | Qty | Ext |
|--------|---------------------|--------------|-----|-----|
| 418215 | Orifice Plate - 115 | 3.50 | | |
| 418210 | Orifice Plate - 110 | 3.50 | | |
| 418203 | Orifice Plate - 103 | 3.50 | | |
| 418298 | Orifice Plate - 98 | 3.50 | | |
| 418295 | Orifice Plate - 95 | 3.50 | | |
| 418293 | Orifice Plate - 93 | 3.50 | | |
| 418291 | Orifice Plate - 91 | 3.50 | | |
| 418289 | Orifice Plate - 89 | 3.50 | | |
| 418286 | Orifice Plate - 86 | 3.50 | | |
| 418283 | Orifice Plate - 83 | 3.50 | | |
| 418281 | Orifice Plate - 81 | 3.50 | | |
| 418278 | Orifice Plate - 78 | 3.50 | | |
| 418275 | Orifice Plate - 75 | 3.50 | | |
| 418273 | Orifice Plate - 73 | 3.50 | | |
| 418270 | Orifice Plate - 70 | 3.50 | | |
| 418267 | Orifice Plate - 67 | 3.50 | | |
| 418265 | Orifice Plate - 65 | 3.50 | | |
| 418263 | Orifice Plate - 63 | 3.50 | | |
| 418261 | Orifice Plate - 61 | 3.50 | | |

Step 10: 3/8" EPDM Black Fertilizer Hose

| | | Retail Price | Qty | Ext |
|--------|---|--------------|-----|-----|
| 471150 | 500 ft roll - 3/8" EPDM Black Fertilizer Hose | 260.00 | | |

Order Online at <http://dealerstore.360yieldcenter.com>

Prices Subject to Change

360YC Price List v2017.01



Step 11: Warm Knife Tubes (Optional)

| | | Retail Price | Qty | Ext |
|--------|-------------------------------|--------------|-----|-----|
| 471300 | Warm Knife Tubes - 3/16" O.D. | 15.00 | | |
| 471310 | Warm Knife Tubes - 1/4" O.D. | 15.00 | | |

Step 12: Gauge Tree (Optional)

| | | Retail Price | Qty | Ext |
|--------|-------------------------------|--------------|-----|-----|
| 471500 | Gauge Tree Stand | 119.00 | | |
| 471518 | Up to 18 Row Gauge Tree Kit | 35.00 | | |
| 471526 | Up to 26 Row Gauge Tree Kit | 43.00 | | |
| 471530 | Gauge Kit | 99.00 | | |
| 471210 | 100 ft roll - 1/4" EVA Tubing | 50.00 | | |
| 471250 | 500 ft roll - 1/4" EVA Tubing | 240.00 | | |

1/2" Hydraulic Supply Line

| | | Retail Price | Qty | Ext |
|--------|---------------------------|--------------|-----|-----|
| 473005 | 1/2" Hydraulic Hose - 15' | 75.00 | | |
| 473006 | 1/2" Hydraulic Hose - 20' | 100.00 | | |
| 473007 | 1/2" Hydraulic Hose - 25' | 125.00 | | |
| 473008 | 1/2" Hydraulic Hose - 30' | 150.00 | | |

3/4" Hydraulic Return Line

| | | Retail Price | Qty | Ext |
|--------|---------------------------|--------------|-----|-----|
| 473015 | 3/4" Hydraulic Hose - 15' | 94.00 | | |
| 473016 | 3/4" Hydraulic Hose - 20' | 125.00 | | |
| 473017 | 3/4" Hydraulic Hose - 25' | 156.00 | | |
| 473018 | 3/4" Hydraulic Hose - 30' | 188.00 | | |

N-serve Injection Adapter Port Kits

| | | Retail Price | Qty | Ext |
|--------|------------------------------------|--------------|-----|-----|
| 471700 | N Serve Injection Adapter Port Kit | 102.00 | | |

Vapor/Bleeder Manifold Kit

| | | Retail Price | Qty | Ext |
|--------|---------------------|--------------|-----|-----|
| 473030 | Vapor / Bleeder Kit | 135.00 | | |

Pressure Transducers

| | | Retail Price | Qty | Ext |
|--------|---------------------|--------------|-----|-----|
| 471601 | Pressure Transducer | 190.00 | | |

Flow Adapter Cables

| | | Retail Price | Qty | Ext |
|--------|--|--------------|-----|-----|
| 470503 | Connection Cable - John Deere Flow Cable Adapter - Single Section | 220.00 | | |
| 470508 | Connection Cable - John Deere Flow Cable Adapter - 4 Section Toolbar | 250.00 | | |
| 470509 | Connection Cable - John Deere Flow Cable Adapter - 6 Section Toolbar | 285.00 | | |
| 470523 | Raven Harness, Master/On/Off Valve Pin Out | 35.00 | | |
| 470524 | Raven Harness, Control Valve Pin Outs | 35.00 | | |
| 470525 | Raven Harness, Flow Meter Pin Outs | 75.00 | | |

Order Online at <http://dealerstore.360yieldcenter.com>

Prices Subject to Change

360YC Price List v2017.01



| 360 EQUI-FLOW™ Gen II Base Unit Replacement Parts | | Retail Price | Qty | Ext |
|--|---|---------------------|------------|------------|
| 470105 | Equiflow Base Caution Decal | 20.00 | | |
| 470106 | Equiflow Base - Warning Decal | 20.00 | | |
| 472106 | Equiflow Base - 13 3/4" Front Bracket | 55.00 | | |
| 472107 | Equiflow Base - 18 1/4" Rear Bracket | 65.00 | | |
| 472108 | Equiflow Base Hardware Kit | 60.00 | | |
| 472200 | Equiflow 8" Tower Assembly | 5,055.00 | | |
| 472220 | 8" Tower System Filter | 250.00 | | |
| 472230 | Equiflow 8" Filter Tower Cap Assembly | 185.00 | | |
| 472231 | 8" Filter Tower Cap - Powdercoated Black | 125.00 | | |
| 270113 | Stud - 5/16" x 1" Recessed Allen Head, Stainless | 1.75 | | |
| 472221 | Filter Strainer Magnet Assembly | 46.00 | | |
| 270102 | Flange Bolt - 5/16-18 x 1/2 Grade 5 Zinc Serrated | 0.30 | | |
| 472232 | Magnet Retainer Plate | 3.00 | | |
| 270101 | Dowel Pin - 1/4" x 5/8" Oversized | 0.60 | | |
| 270114 | Bolt - 3/4" x 1-1/2" Flange, Eco Guard | 5.50 | | |
| 472240 | 8" Separation Tower Cap Assembly | 1,525.00 | | |
| 472241 | 8" Separation Tower Cap - Powdercoated Black | 140.00 | | |
| 472242 | Separation Tower Splash Plate | 10.00 | | |
| 470238 | Stud - SS 3/8" x 1" | 4.80 | | |
| 207059 | Nut - 3/8" SS Hex Flange Nut | 0.75 | | |
| 270114 | Bolt - 3/4" x 1-1/2" Flange, Eco Guard | 5.50 | | |
| 472243 | Tower Liquid Level Sensor and Float Assembly | 150.00 | | |
| 472244 | Male to Female 1/4" Pipe Coupler, 2-3/8" | 24.00 | | |
| 472245 | Male to Female 1/4" Pipe Coupler, 3-3/8" | 24.00 | | |
| 472246 | Elbow - 3/8" Male JIC to 1/4" Male Elbow, Long | 2.50 | | |
| 470240 | Reducer - 3/8" Female JIC to 1/4" Male | 3.25 | | |
| 472247 | Solenoid Valve Assembly | 425.00 | | |
| 470242 | Orifice Body - SS Male 1/4 TT Body | 18.50 | | |
| 418225 | Orifice Plate - 125 | 3.50 | | |
| 470245 | Orifice Body Nut - SS | 10.15 | | |
| 472248 | Hose Shank - 3/8" SS | 9.00 | | |
| 472249 | Cap - Solenoid Valves | 5.50 | | |
| 270115 | Bolt - #10-32 x 1/2" SS | 0.80 | | |
| 270116 | Washer - #10 Serrated external tooth | 0.08 | | |
| 470250 | Elbow - 3/8" Male JIC to 1/4" Male Pipe | 1.65 | | |
| 470251 | Pipe Plug - 1/4" | 0.55 | | |
| 470252 | Pressure Bleed Off Valve | 17.00 | | |
| 472252 | Valve - Needle, for pressure bleed off | 44.00 | | |
| 472250 | Swivel - 1/4" NPT male to female | 2.30 | | |

Order Online at <http://dealerstore.360yieldcenter.com>

Prices Subject to Change

360YC Price List v2017.01



| 360 EQUI-FLOW™ Gen II Base Unit Repl. Parts (Continued) | | Retail Price | Qty | Ext |
|--|---|---------------------|------------|------------|
| 472251 | O-Ring Gasket | 3.70 | | |
| 472253 | Equi-flow Decal | 20.00 | | |
| 470254 | Filter Tower Decal | 20.00 | | |
| 207050 | Bracket Nut - Top Lock - 1/2" | 0.80 | | |
| 207051 | Washer - 1/2" | 0.35 | | |
| 472300 | Equiflow Pump Assembly | 4,285.00 | | |
| 470301 | Clamp - 2" Filter Tower - Black - Includes Bolts, Nuts and Gasket | 74.00 | | |
| 470316 | Hydraulic Connection Fitting - Inlet | 4.30 | | |
| 470317 | Hydraulic Connection Fitting - Outlet | 8.50 | | |
| 270107 | Bolt - 3/8" - 13 x 1-1/2" Grade 5 Zinc | 0.25 | | |
| 270108 | Nut - 3/8"-16 Grade C Zinc Top Lock | 0.15 | | |
| 270109 | Washer - 3/8" Flat Zinc | 0.05 | | |
| 472400 | Base Unit Manifold Assembly | 3,500.00 | | |
| 472401 | Clamp - 1-1/2" - Powdercoated Black - Includes Bolts, Nuts and Gasket | 74.00 | | |
| 472402 | SS Fabricated Tube - 1-1/2" gruvlock to pipe fitting, with 1/4" ports | 192.00 | | |
| 472403 | Cross - 1/4" Male Pipe, 1/4" Female Pipe (x3) | 10.00 | | |
| 470239 | Reducer - 3/8" Male JIC to 1/4" Male | 1.25 | | |
| 470251 | Pipe Plug - 1/4" | 0.55 | | |
| 470310 | Pressure Gauge - 300 PSI | 168.00 | | |
| 470311 | Valve - 250 PSI Hydrostatic Pressure Relief Valve | 35.00 | | |
| 470403 | Flowmeter - 1-1/2" Low Flow | 815.00 | | |
| 470405 | Nipple - 1-1/2" Male to Male Pipe | 16.00 | | |
| 470407 | Servo Valve Assembly - 1-1/2" (Red Flag) | 1,150.00 | | |
| 470406 | Master Valve Assembly - 1-1/2" (Yellow Flag) | 1,085.00 | | |
| 472404 | SS Tube with 3/8" bung and 1/4" bung | 145.00 | | |
| 470416 | Pipe Plug - 3/8" Male | 1.15 | | |
| 472405 | Manifold Mounting Bracket with Gauge Mount | 31.50 | | |
| 472406 | Manifold Mounting Bracket | 14.75 | | |
| 270110 | Bolt - 7/16" - 14 x 1-1/2" Grade 5 Zinc | 0.50 | | |
| 207046 | Nut - 7/16" Top Lock | 0.30 | | |
| 207047 | Washer - 7/16" Zinc Flat | 0.15 | | |
| 201021 | 2 inch x 3 inch x 3/8 U Bolt RIE | 10.50 | | |
| 201023 | 2.5 inch x 3/8 inch U bolt RIE | 18.00 | | |
| 270117 | Zip Tie - Fir Tree | 1.50 | | |
| 470500 | Base System Wiring Harnesses | 125.00 | | |
| 470501 | Equiflow Power Cable | 75.00 | | |
| 470502 | Equiflow Valve Power Cable | 50.00 | | |

Order Online at <http://dealerstore.360yieldcenter.com>

Prices Subject to Change



Gen II Splitter and Flow Divider Replacement Parts

| | | Retail Price | Qty | Ext |
|--------|---|--------------|-----|-----|
| 472601 | Elbow - 1-1/4" Female Pipe 90 Deg | 32.00 | | |
| 470415 | Nipple - 1-1/4" male pipe | 11.25 | | |
| 470624 | 4 Port Splitter | 465.00 | | |
| 470626 | 6 Port Splitter | 540.00 | | |
| 470637 | Tee - Female Pipe 1-1/4 x 1-1/4 x 1-1/4 | 40.00 | | |
| 470638 | Reducer - 1-1/4" x 1" Pipe Bushing | 8.50 | | |
| 470651 | Swivel - 1" x 1" Male to Female - NPT | 10.00 | | |
| 470650 | Nipple - 1" Male Pipe | 4.50 | | |
| 472602 | Elbow - 1-1/4" x 1" Female Pipe 90 Deg | 33.00 | | |
| 470251 | Pipe Plug - 1/4" | 0.55 | | |

Gen II Section Component Replacement Parts

| | | Retail Price | Qty | Ext |
|--------|--|--------------|-----|-----|
| 470651 | Swivel - 1" x 1" Male to Female - NPT | 10.00 | | |
| 470642 | 1" Valve Assembly | 700.00 | | |
| 470645 | Section Manifold Bracket Kit - Short Bracket | 113.00 | | |
| 470648 | Section Manifold Bracket Kit - Long Bracket | 113.00 | | |

Order Online at <http://dealerstore.360yieldcenter.com>

Prices Subject to Change

360YC Price List v2017.01