



INSTRUCTIONS  
360 Y-DROP<sup>®</sup>  
SQUARE TUBE UPGRADE

ROGATOR

# INSTRUCTIONS

## 360 Y-DROP

### SQUARE TUBE UPGRADE

#### ROGATOR



Figure 1 Upgrade completed

#### ⊕ RECOMMENDED TOOLS

- + Ratchet wrench with 1/2" and 9/16" deep well sockets
- + 3/8" 12-point socket
- + 1/2" and 9/16" combination wrenches

#### ⊕ TORQUE VALUES

- + Refer to these torque values when tightening all fasteners

+ 5/16" stainless	U-bolt	15 ft/lbs
+ 5/16" stainless	Set screw	15 ft/lbs
+ 3/8" carbon	U-bolt	35 ft/lbs
+ 5/16" carbon	U-bolt	30 ft/lbs
+ 5/16" carbon	Stop bolt	30 ft/lbs

#### ⊕ QUESTIONS

- + Call our Product Support team at 888-512-4890

## I. REMOVE RISER TUBE ASSEMBLIES

Follow these steps to remove each riser tube assembly:

Figure 2

**Step 1** Remove pin (1).

**Step 2** Remove riser tube assembly (2).

Repeat Steps 1-2 for all riser tube assemblies.

Retain riser tube assemblies for later reinstallation.



Figure 2



Figure 3

## II. INSTALL MOUNT ASSEMBLIES ON THE OEM PRIMARY BOOM

**NOTE:** Only on the 120' booms is the wet boom on the center section below the OEM boom. On the 80', 90' and 100' booms, the wet boom is up higher. Keep this in mind, as the pictures that follow may not exactly match your equipment, but this will not affect the installation of the 360 Y-DROP brackets.

**NOTE:** Replace one Z-bar assembly at a time. The square tube upgrade mount assemblies will be installed in the same location.

Figure 3

**Step 1** Remove U-bolt (1).

Figure 4

**Step 2** Remove four nuts (1), 4" plate (2), Z-bar (3) and bracket assembly (4).

Repeat for the remaining mount assemblies on the OEM primary boom.

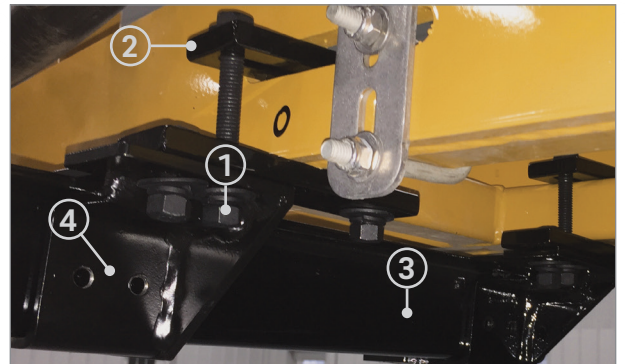


Figure 4

## II.

## INSTALL MOUNT ASSEMBLIES ON THE OEM PRIMARY BOOM *(continued)*

Figure 5

**Step 3** With the threads pointing down, install square U-bolt (1) on the top of the OEM primary boom.

**Step 4** Install bracket assembly (2) and flange lock nut (3).

Hardware Kit D

Repeat Steps 3-4 for the other OEM mount bracket kit.

**Step 5** Install extension tube (4).

**Step 6** Install boom bracket (5) onto the extension tube.

**Step 7** Install square U-bolts (6), the 5/16" extra thick washers and the 5/16" nuts.

Hardware Kit A

**Step 8** Install stop bolts (7) at both the front and the rear of the extension tube.

Hardware Kit B

Figure 6

**Step 9** Install stainless steel set screw and jam nut assembly (1) onto the bracket assemblies.

Hardware Kit D

Repeat Steps 1-9 for the remaining mount assemblies on the OEM primary boom.

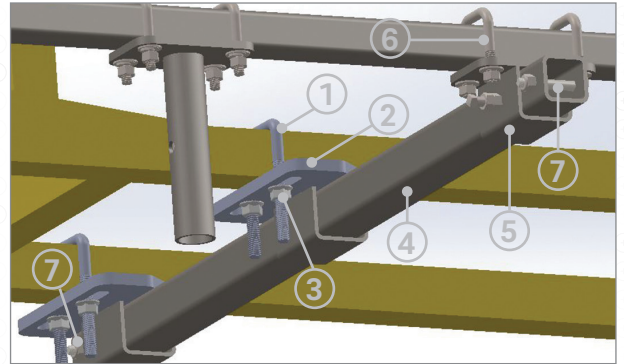


Figure 5

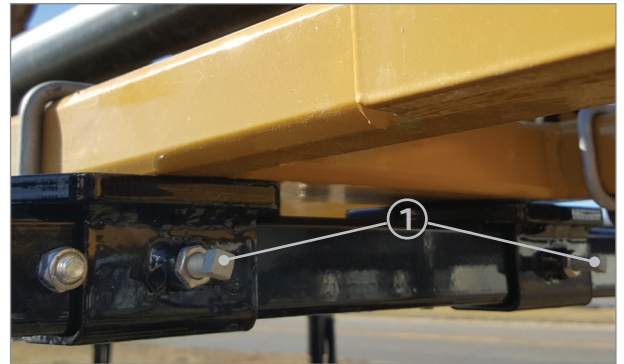


Figure 6



### III. INSTALL CENTER SECTION SQUARE TUBE UPGRADE

In preparation for the center section installation:

Figure 7

**Step 1** Remove nuts (1), lower Z-bar assembly (2), plates (3) and Z-bar (not pictured). Repeat for the remaining center section Z-bar assemblies.

Figure 8

**Step 2** With the threads pointing down, install square U-bolt (1) on the front OEM center section boom.

**Step 3** Position bracket assembly (2) and install 3/8" flange nuts (3).

**Step 4** With the threads pointing down, install square U-bolt (4) on the rear OEM center section boom.

**Step 5** Install adapter plate (5) and 3/8" flange nuts (6).

**Step 6** Install extension tube (7) onto bracket assembly (2).

Figure 9

**Step 7** Install boom bracket (1) onto extension tube (2).  
Bag BB

**Step 8** Install stop bolt assemblies (3).

**Step 9** Install stop bolts (3) at both the front and the rear of the extension tube.

Repeat Steps 1-9 for the other center section mount.

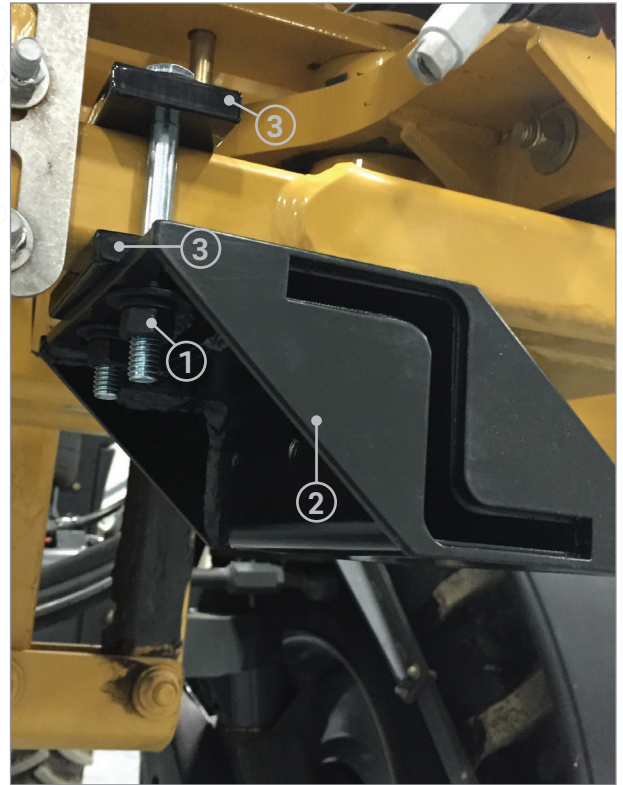


Figure 7

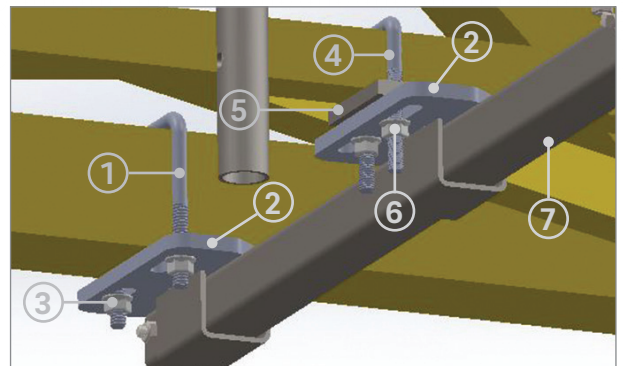


Figure 8

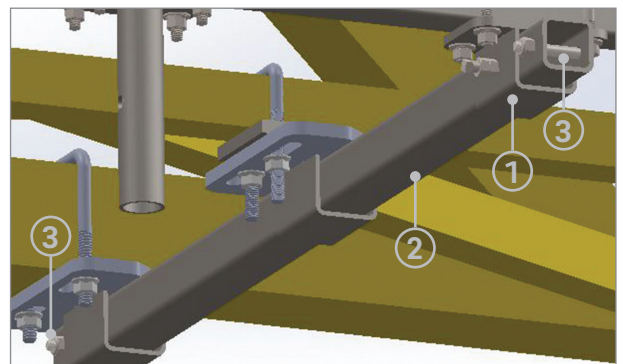


Figure 9

## III.

INSTALL CENTER SECTION  
SQUARE TUBE UPGRADE *(continued)*

Figure 10

**Step 10** Install stainless steel set screw and jam nut assembly (1) onto the bracket assemblies.

Hardware Kit D

Figure 11

**Step 11** Place the 360 Y-DROP boom onto the boom brackets. With the threads pointing down, install U-bolts (1), along with the extra thick washers and nuts. Repeat this for the remaining 360 Y-DROP boom brackets.

Figure 12

**Step 12** Install pin (1).

**Step 13** Install riser tube assembly (2).

Repeat Steps 12 and 13 for the remaining riser tube assemblies.

⊕ INSTALLATION COMPLETE.



Figure 10

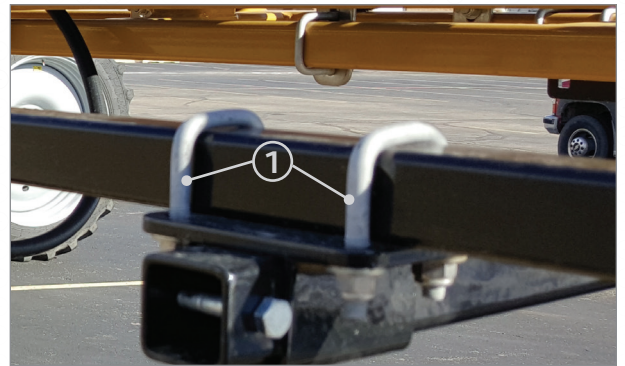


Figure 11



Figure 12

