



INSTRUCTIONS
360 Y-DROP®

APACHE



INSTRUCTIONS 360 Y-DROP

APACHE

⊕ INTRODUCTION

- + Before beginning, it's important to know where each mounting bracket fits relative to the row spacing involved. The 360 Y-DROP unit should be precisely centered on the machine, as this is critical to the assembly of the system to the sprayer and for mounting the system to your sprayer boom. There are, however, many boom variations among all sprayer models. Your sprayer may not be identical to the model in the following steps of the guide, and the pictures may not exactly reflect your model. While these steps will help you install most of your 360 Y-DROP system, you may need to custom-fit some components with your particular boom.

⊕ RECOMMENDED TOOLS

- + Ratchet wrench with 1/2" and 9/16" deep well sockets
- + 3/8" 12-point socket
- + 1/2" and 9/16" combination wrenches
- + #2 Phillips screwdriver (for the shield installation)

⊕ TORQUE VALUES

- + Refer to these torque values when tightening all fasteners

+ 5/16" stainless	U-bolt	15 ft/lbs
+ 5/16" stainless	Set screw	15 ft/lbs
+ 3/8" carbon	U-bolt	35 ft/lbs
+ 5/16" carbon	U-bolt	30 ft/lbs
+ 5/16" carbon	Stop bolt	30 ft/lbs

⊕ QUESTIONS

- + Call our Product Support team at 888-512-4890

I.

**ESTABLISH
DROP LOCATIONS**

- Step 1** Locate the center of the machine and identify the location of all the drops. On the sprayer boom, mark where each riser mount will be located. This will ensure that the extension tubes will not interfere with the riser mounts.
- Step 2** For the primary boom; starting at the wing fold pivot pin, measure out and make marks at 28", 89", 152", 212" and 257" (all measurements are ± 5 "). Repeat for the other primary boom.

II. INSTALL MOUNT ASSEMBLIES ON THE OEM PRIMARY BOOM

Figure 1

Step 1 With the threads pointing down, install U-bolt (1) on the top of the OEM primary boom.

Bag AA

Step 2 Install bracket assembly (2) and flange lock nut (3).

Hardware Kit D

Step 3 Install extension tube (4).

Figure 2

Step 4 Install boom bracket (1) onto the extension tube.

Step 5 Install stop bolts (2) at both the front and the rear of the extension tube.

Hardware Kit B

Figure 3

Step 6 Install stainless steel set screw and jam nut assembly (1) onto the bracket assembly.

Hardware Kit D

Repeat Steps 1-6 for the remaining mount assemblies on the OEM primary boom.

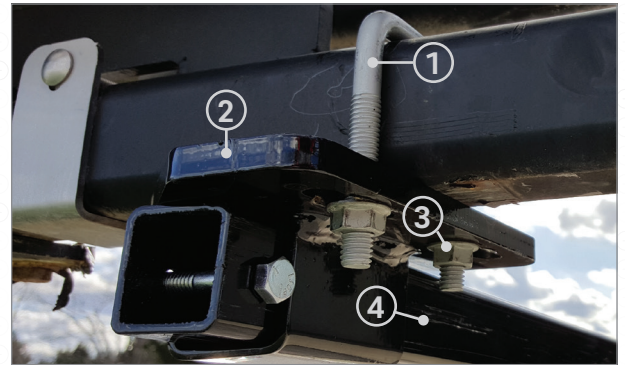


Figure 1



Figure 2



Figure 3

II.

**INSTALL MOUNT ASSEMBLIES
ON THE OEM PRIMARY BOOM** *(continued)*

Figure 4

Step 7 With the U-bolt pointing to the rear, install the yoke mount (1) and flange nuts to upper boom section.

Step 8 With the square U-bolt threads pointing up and using the extra thick washer and Nylock nut, install yoke mount (2) to the 360 Y-DROP boom section.

Step 9 Using pins, install the yoke straps (3) between the upper boom and 360 Y-DROP boom. Using the flange nuts, tighten the 1-1/4" carriage bolts.

Repeat Steps 7-9 for the remaining yokes on the OEM primary booms. Yokes should be spaced approximately 60" (± 5 ") apart.

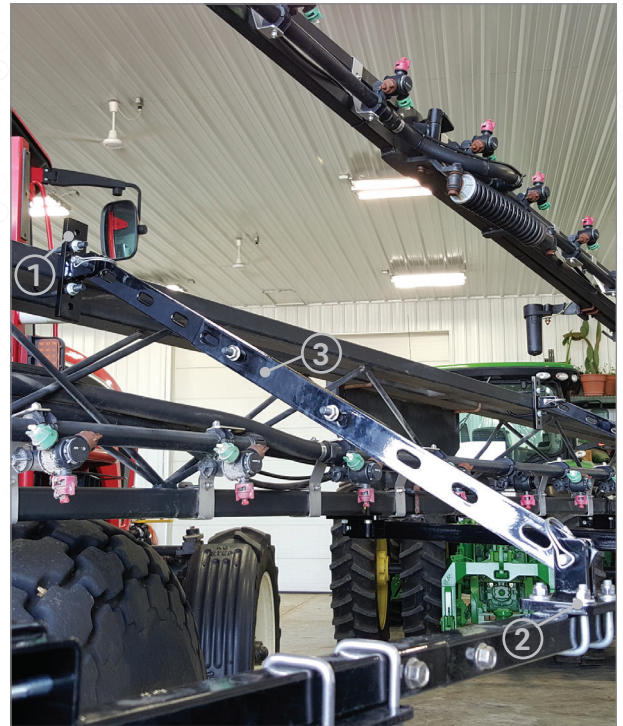


Figure 4

III.

INSTALL CENTER SECTION
SQUARE TUBE UPGRADE

Figure 5

Step 1 Place 8" top plate (1) on top of the center section and install two 7.5" bolts (2) with 3/8" washers and carriage bolts (3). Note the carriage bolt at the rear of the boom will need to be set in place on the 14" top plate before it is installed in Step 2.

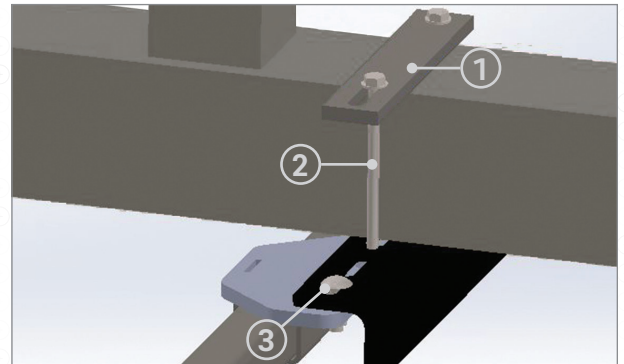


Figure 5

Figure 6

Step 2 Place 14" top plate (1) and bracket assemblies (2) into position, then install four 3/8" flange nuts (3).

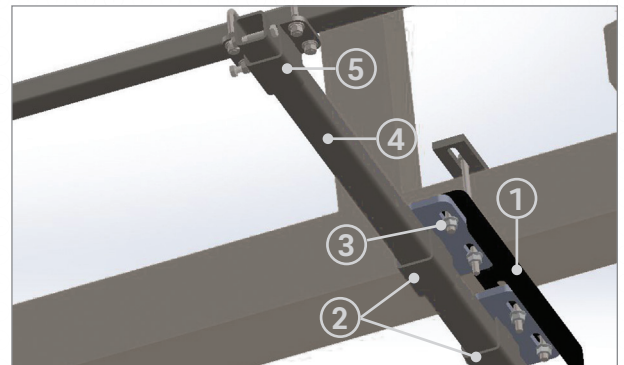


Figure 6

Step 3 Install extension tube (4) onto bracket assembly (2).

Step 4 Install boom bracket (5).

Figure 7

Step 5 Install stainless steel set screw and jam nut assembly (1).

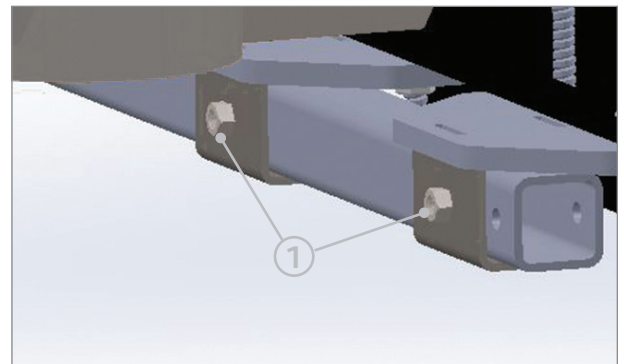


Figure 7

Figure 8

Step 6 Install square U-bolt (1), the 5/16" extra thick washers and the 5/16" nuts. Hardware Kit A

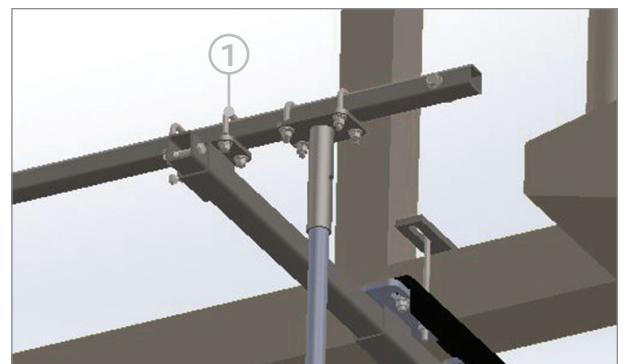


Figure 8

IV. INSTALL 360 Y-DROP BOOM

Figure 9

Step 1 Assemble 5' boom sections (1) using the 8" boom connectors (2) and the supplied hardware.

Hardware Bag CC

Step 2 Repeat Step 1 as needed in order to assemble the entire 360 Y-DROP boom.

Step 3 Set the 360 Y-DROP boom assembly onto boom bracket (3).

Repeat Steps 1 -3 for the remaining boom assemblies.



CAUTION: The 360 Y-DROP boom assembly may weigh up to 150 lbs. (68 kg). Exercise caution and enlist help for this process.

Figure 10

Step 4 In order to span the full length of the center section 360 Y-DROP boom, you will need to cut and drill one of the 5' boom sections to 1'. Mount this 1' section between two full 5' boom sections. Drill a 7/16" through hole centered 2" from the outside edge.

Figures 11 and 12

Step 5 Install square U-bolt (1), the 5/16" extra thick washers, and the 5/16" nuts over the 360 Y-DROP boom (2).

Hardware Kit A

Step 6 Install stop bolt (3) at both the front and the rear of the extension tube. Repeat for remaining stop bolts.

Hardware Kit B

Step 7 Install stainless steel set screw and jam nut assembly (4). See Figure 13 for detail. Repeat for the remaining mount assemblies on the primary boom.

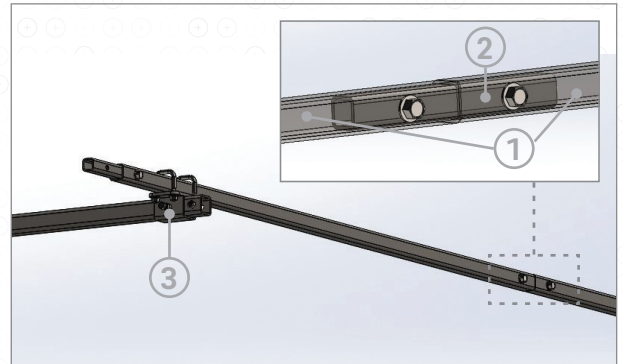


Figure 9



Figure 10

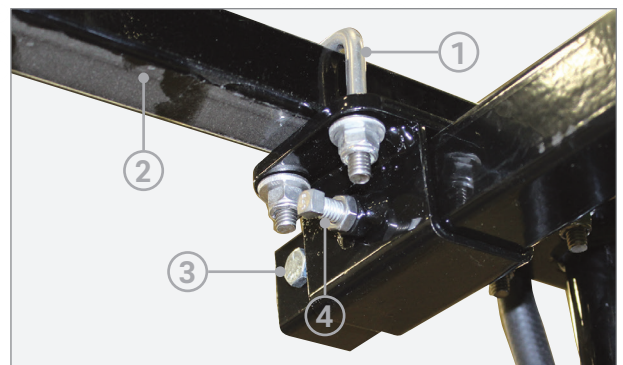


Figure 11

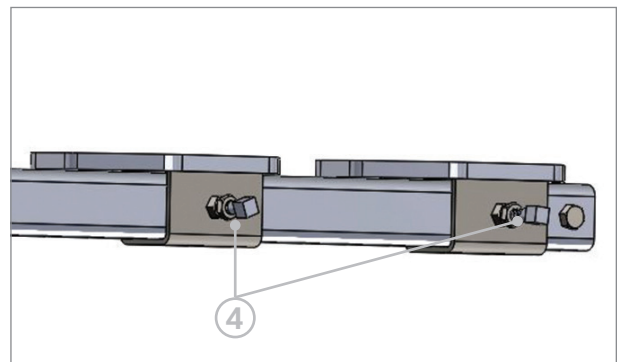


Figure 12

V.

INSTALL RISER MOUNTS

Figure 13

Step 1 Install riser mount (1) using the square U-bolts (2) and the extra thick washer and Nylock nut. Repeat for the remaining riser mounts.

Hardware Kit C

The alignment and quantity of the riser mounts will depend on your row spacing.

Figure 14

Step 2 Install riser tube assembly (1) into the riser mount (2).

Step 3 Install pin (3).

Repeat Steps 2 and 3 for the remaining riser tube assemblies.

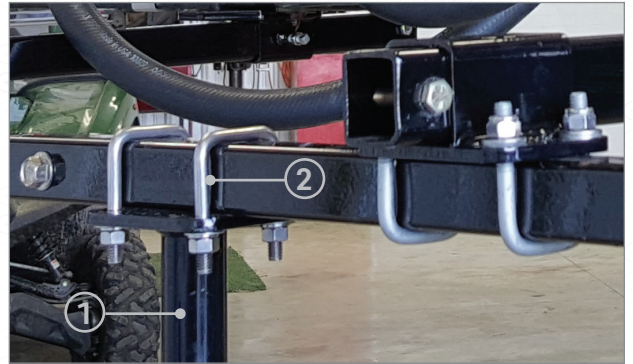


Figure 13

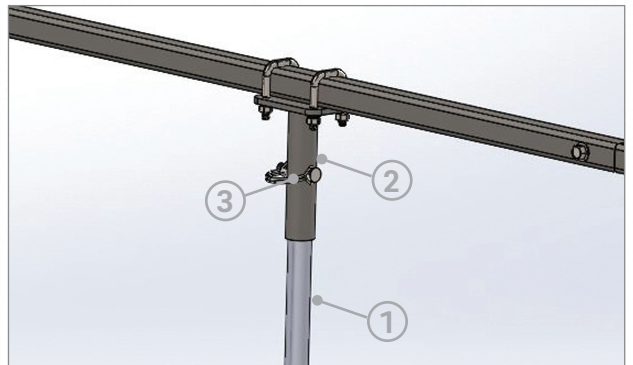


Figure 14

VI.

INSTALL SHIELDS AND
RISER HOSES

Figure 15

Step 1 Install shield (1) onto riser tube (2).

Figure 16

Step 2 Install base unit (1) onto riser tube (2).

Figure 17

Step 3 Assemble drag hoses (1) to 360 Y-DROP base and secure with hose clamps (2).

Figure 18

Step 4 Note the orientation of the drag hose clamps. The tails should point inward.

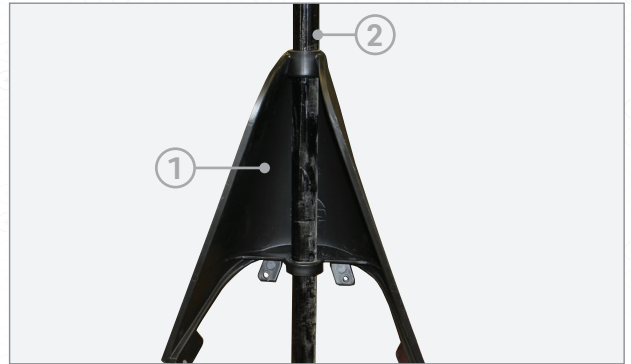


Figure 15

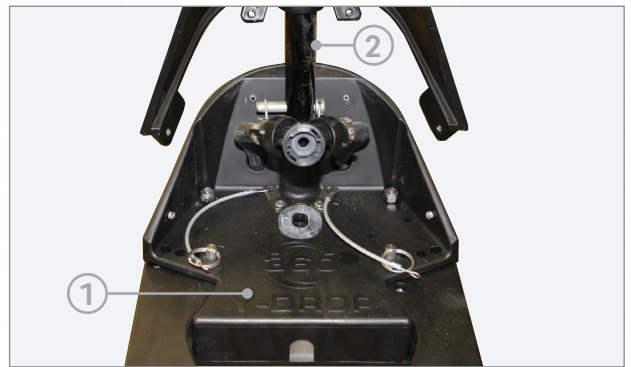


Figure 16

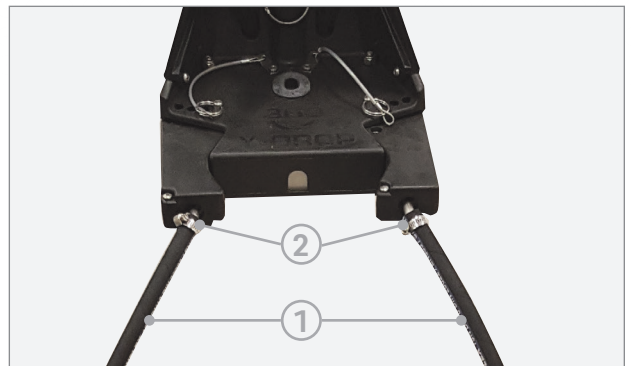


Figure 17



Figure 18

VI. INSTALL SHIELDS AND RISER HOSES *(continued)*

Figure 19



CAUTION: Do NOT use a drill or impact driver for Steps 5 and 6.

Step 5 Install two ½" screws (1).

Step 6 Install two ¾" screws (2).

Step 7 Install rubber washer (3) into the "Y".

Figure 20

Step 8 Install riser hose assembly (1) into the "Y".

Figure 21

Step 9 Route riser hose assembly (1) as shown in Figure 19.

Step 10 Install the riser hose assembly to the OEM nozzle body.

Step 11 Use 3 equally spaced plastic ties to secure the riser hose assembly.

Repeat Steps 1-11 for the remaining 360 Y-DROP Shields.

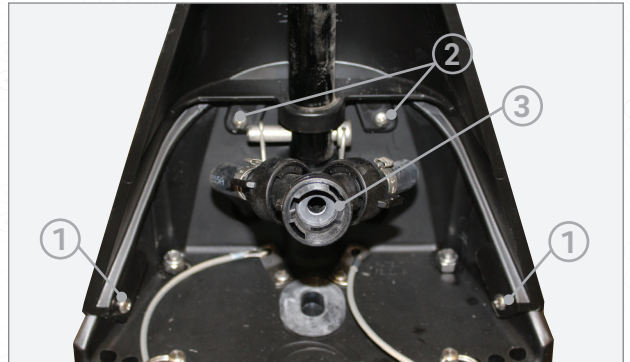


Figure 19



Figure 20



Figure 21

⊕ INSTALLATION COMPLETE.