



360 Yield Center Dealers

2016 Order & Retail Price Guide

Issued March 4, 2016



Order a 360 SOILSCAN™

STEP 1:

Order the **360 SOILSCAN™ with Case.**

PG 2

Quantity needed: One

Included with purchase:

- 360 SOILSCAN Unit (with Nitrate Sensor)
- 360 SOILSCAN Case
- 12V Power Cable
- 110V Power Cable
- Lightning to USB Cable
- Lightning 30-pin Adaptor
- NO3-N, 7 pH Standard Solution (20 ppm)
- Bottle, Wash
- Calibration Bottle
- Sample Cups (Pack of 50)
- Soil Scoop
- Mix Rod - Aggressive
- Mixing Sleeve

OTHER:

Accessories as well as replacement parts are available.

PG 2



360 SOILSCAN™ Unit and New Sensor Kits

| | | Retail Price | Qty | Ext |
|--------|--|--------------|-----|-----|
| 431020 | 360 SOILSCAN with Case (Includes Nitrate Sensor) | 3,850.00 | | |
| 431038 | pH Sensor Kit (Sensor, Solution) | 850.00 | | |

360 SOILSCAN™ Sensor Replacement Parts

| | | Retail Price | Qty | Ext |
|--------|----------------------------------|--------------|-----|-----|
| 431037 | pH Sensor Assembly (Replacement) | 825.00 | | |

360 SOILSCAN™ Accessories

| | | Retail Price | Qty | Ext |
|--------|---|--------------|-----|-----|
| 431049 | 2 Tip Replacement (Nitrate & Reference) | 150.00 | | |
| 432349 | SoilScan Nitrate Tip | 115.00 | | |
| 432350 | SoilScan Reference Tip | 35.00 | | |
| 432340 | NO3-N, 7 pH Standard Solution (20 ppm) | 36.00 | | |
| 431035 | NO3-N Tip and Water Test Kit | 36.00 | | |

360 SOILSCAN™ Replacement Parts

| | | Retail Price | Qty | Ext |
|--------|------------------------------------|--------------|-----|-----|
| 432046 | Mix Motor | 250.00 | | |
| 432078 | 110V Power Cable | 105.00 | | |
| 432112 | Pump | 350.00 | | |
| 432176 | Soil Scoop | 20.00 | | |
| 432190 | Bottle, Wash | 15.00 | | |
| 432226 | 12V Power Cable | 40.00 | | |
| 432265 | Mixer Rod - Original | 10.00 | | |
| 432329 | Mixing Rod - Aggressive | 10.00 | | |
| 432291 | Carrying Case | 300.00 | | |
| 432322 | Sample Cups (Pack of 100) | 5.75 | | |
| 432324 | Power Cord, Australia | 10.00 | | |
| 432355 | Calibration Bottle - 4 Compartment | 12.00 | | |
| 432371 | Mixing Sleeve | 5.00 | | |

Order Online at <http://dealerstore.360yieldcenter.com>

Prices Subject to Change

360YC Price List v2.8



Order a 360 Y-DROP™ System

STEP 1:

Order the **Sprayer Mount Package** from the available models.

PG 6 - 7

Quantity Needed: One

Ex: Sprayer Mount Pkg - JD 4830/4730/4720 - 60 ft

To locate model, determine the length of the 360 Y-Drop system required: 30', 40', 60' or 70' systems.

Refer to the chart below and the technical guide to assist in determining boom length.

| Spacing | Rows | Calculated Boom Feet | Y-Drop Boom Category | JD 4830/4730/4720 | JD 4930/4940 | JD 4710 | JD 4630 | JD R-Series 80, 90, 100' Boom | JD R-Series 120' Booms | Hagie STS Steel 80, 90, 100' Boom (2000-current) | Hagie STS 120' Aluminum Boom (2012-current) | Hagie DTS (pre-2016) | Hagie DTS (2016+) | Case IH 120' Boom | Case IH 80'-90' Boom | Miller Nitro (2008+) | New Holland | Miller Nitro (pre-2008) | ROGATOR 80, 90, 100' Boom | ROGATOR 120' Boom | Apache 80, 90, 100' boom | JD K&S Aluminum |
|---------|------|----------------------|----------------------|-------------------|--------------|---------|---------|-------------------------------|------------------------|--|---|----------------------|-------------------|-------------------|----------------------|----------------------|-------------|-------------------------|---------------------------|-------------------|--------------------------|-----------------|
| 15 | 48 | 60 | 60 | 410506 | 410516 | 410686 | 410666 | 410526 | 410536 | 410546 | 410556 | N/A | 410636 | 410566 | 410576 | 410586 | 410596 | 410606 | 410616 | 410626 | 410646 | 410696 |
| 20 | 36 | 60 | 60 | 410506 | 410516 | 410686 | 410666 | 410526 | 410536 | 410546 | 410556 | N/A | 410636 | 410566 | 410576 | 410586 | 410596 | 410606 | 410616 | 410626 | 410646 | 410696 |
| 22 | 24 | 44 | 40 | 410504 | 410514 | 410684 | 410664 | 410524 | 410534 | 410544 | 410554 | 410654 | 410634 | 410564 | 410574 | 410584 | 410594 | 410604 | 410614 | 410624 | 410644 | 410694 |
| 22 | 32 | 59 | 60 | 410506 | 410516 | 410686 | 410666 | 410526 | 410536 | 410546 | 410556 | N/A | 410636 | 410566 | 410576 | 410586 | 410596 | 410606 | 410616 | 410626 | 410646 | 410696 |
| 22 | 36 | 66 | 70 | N/A | 410517 | N/A | 410667 | 410527 | 410537 | 410547 | 410557 | N/A | N/A | 410567 | 410577 | 410587 | 410597 | 410607 | N/A | N/A | N/A | 410697 |
| 28 | 32 | 75 | 70 | N/A | 410517 | N/A | N/A | N/A | 410537 | N/A | 410557 | N/A | N/A | N/A | N/A | 410587 | 410597 | 410607 | N/A | N/A | N/A | 410697 |
| 30 | 12 | 30 | 30 | 410503 | 410513 | 410683 | 410663 | 410523 | 410533 | 410543 | 410553 | 410653 | 410633 | 410563 | 410573 | 410583 | 410593 | 410603 | 410613 | 410623 | 410643 | 410693 |
| 30 | 16 | 40 | 40 | 410504 | 410514 | 410684 | 410664 | 410524 | 410534 | 410544 | 410554 | 410654 | 410634 | 410564 | 410574 | 410584 | 410594 | 410604 | 410614 | 410624 | 410644 | 410694 |
| 30 | 24 | 60 | 60 | 410506 | 410516 | 410686 | 410666 | 410526 | 410536 | 410546 | 410556 | N/A | 410636 | 410566 | 410576 | 410586 | 410596 | 410606 | 410616 | 410626 | 410646 | 410696 |
| 30 | 32 | 80 | 70 | N/A | 410517 | N/A | N/A | N/A | 410537 | N/A | 410557 | N/A | N/A | N/A | N/A | 410587 | 410597 | 410607 | N/A | N/A | N/A | 410697 |
| 38 | 12 | 38 | 40 | 410504 | 410514 | 410684 | 410664 | 410524 | 410534 | 410544 | 410554 | 410654 | 410634 | 410564 | 410574 | 410584 | 410594 | 410604 | 410614 | 410624 | 410644 | 410694 |
| 38 | 16 | 51 | 60 | 410506 | 410516 | 410686 | 410666 | 410526 | 410536 | 410546 | 410556 | N/A | 410636 | 410566 | 410576 | 410586 | 410596 | 410606 | 410616 | 410626 | 410646 | 410696 |
| 38 | 24 | 76 | 70 | N/A | 410517 | N/A | N/A | N/A | 410537 | N/A | 410557 | N/A | N/A | N/A | N/A | 410587 | 410597 | 410607 | N/A | N/A | N/A | 410697 |

STEP 2:

Order the **Boom Assemblies**

PG 8

Quantity Needed: (calculated boom length in feet ÷ 5) + 1

Exception: 66' systems = (calculated boom length in feet ÷ 5) + 2

Ex: Sprayer Mount Pkg - JD 4830/4730/4720 - 60 ft

(60' ÷ 5) + 1 = 13 boom assemblies

STEP 3:

Order the **Riser Mount Assemblies**

PG 8

Quantity Needed: # of drops

Ex: Sprayer Mount Pkg - JD 4830/4730/4720 - 60 ft

24 row system means 23 drops are needed = 23 riser mounts

STEP 4:

Order **Riser Mount Assemblies** for transport

Needed for placement on the boom assembly at times of transportation.

Quantity Needed: see chart to right.

| Calculated Boom Ft. | Recommended Qty |
|---------------------|-----------------|
| 30-44 ft | none |
| 51 ft | 4 |
| 59 ft and greater | 6 |

PG 8

Order Online at <http://dealerstore.360yieldcenter.com>

Prices Subject to Change

360YC Price List v2.8



STEP 5:

Order the **Breakaway Assemblies**

PG 8

Quantity Needed: # of drops

Ex: Sprayer Mount Pkg - JD 4830/4730/4720 - 60 ft

24 row system = 23 Breakaway Assemblies

STEP 6:

Order the **Riser Tubes**

Quantity Needed: # of drops

Reference chart to right for common recommendations.

Ex: Sprayer Mount Pkg - JD 4830/4730/4720 - 60 ft

24 row system = 18 riser tubes at 67", 5 riser tubes at 55"

Note: Indicated length of Riser Tubes has changed to more accurately reflect the actual length of the tube. Refer to the technical guide for comparison of previous part names and numbers to current part names and numbers.

****Note:** Miller - 2008+ requires 6" extensions for Center drops (Part # 416107) is available in the Options and Additional Items section.

| Recommended Riser Tube | | |
|------------------------|---------|----------|
| | Outside | Center |
| Apache | 49" | 49" |
| Rogator | 49" | 49" |
| Case | 49" | 49" |
| JD-R series | 55" | 67" |
| JD - 4830/4730/4720 | 67" | 55" |
| JD - 4930/4940 | 55" | 49" |
| JD - 4710 | 55" | 67" |
| JD - 4630 | 49" | 49" |
| Hagie DTS 2016+ | 67" | 67" |
| Hagie DTS pre-2016 | 61" | 61" |
| Hagie STS & Alumin. | 67" | 67" |
| Miller-pre 08 | 67" | 67" |
| Miller-2008+ ** | 67" | 79" + 6" |

PG 8

STEP 7:

Order the **Riser Hose Assemblies**

Quantity Needed: # of drops

Reference chart to right for needed hose length.

Ex: Sprayer Mount Pkg - JD 4830/4730/4720 - 60 ft

24 row system = 18 riser hose assemblies at 114", 5 riser hose assemblies at 102".

Note: Order a Case AIM adapter (#416005) for each hose on Case AIM systems.

| Riser Tube | Hose |
|------------|------|
| 43" | 90" |
| 49" | 90" |
| 55" | 102" |
| 61" | 114" |
| 67" | 114" |
| 79" | 126" |
| 91" | 126" |

PG 8

STEP 8:

Order the **360 Y-DROP™ Base Units**

Quantity Needed: INSIDE - Conventional (Black) base units: # of drops - 2

Quantity Needed: OUTSIDE - High Visibility (Orange) base units: 2

Ex: Sprayer Mount Pkg - JD 4830/4730/4720 - 60 ft

24 row system = 21 360 Y-DROP™ Conventional base units

+ 2 360 Y-DROP™ High Visibility base units

23 total drops

PG 8

STEP 9:

Order the **Drag Hoses**

Quantity needed: # of drops * 2

Ex: Sprayer Mount Pkg - JD 4830/4730/4720 - 60 ft

24 row system = 23 drops * 2 = 46 drag hoses

Note: Refer to Technical guide for guidance on drag hose length.

PG 8

Order Online at <http://dealerstore.360yieldcenter.com>

Prices Subject to Change

360YC Price List v2.8



STEP 10:

Order the **Orifices/Nozzles** (optional)

PG 9

Quantity needed: INSIDE: (# of drops * 2) - 2 - See Appendices B and C of technical guide

Quantity needed: OUTSIDE: Two - See Appendices B and C of technical guide

Ex: Sprayer Mount Pkg - JD 4830/4730/4720 - 60 ft

24 row system = (23 drops * 2) - 2 = 44 inside orifices or nozzles

+ 2 outside orifices or nozzles

46 total orifices or nozzles



Step 1 - Sprayer Mount Package

| 30' Boom | | Retail Price | Qty | Ext |
|----------|---|--------------|-----|-----|
| 410503 | Sprayer Mount Pkg - JD 4830/4730/4720 - 30 ft | \$ 900.00 | | |
| 410513 | Sprayer Mount Pkg - JD 4930/4940 - 30 ft | 900.00 | | |
| 410523 | Sprayer Mount Pkg - JD R-Series 80, 90, 100' Boom - 30 ft | 900.00 | | |
| 410533 | Sprayer Mount Pkg - JD R-Series 120' Boom - 30 ft | 900.00 | | |
| 410543 | Sprayer Mount Pkg - Hagie STS Steel 80, 90, 100' Boom (2000-Cur.) - 30 ft | 900.00 | | |
| 410553 | Sprayer Mount Pkg - Hagie 120' Aluminum Boom (2012-Cur.) - 30 ft | 900.00 | | |
| 410563 | Sprayer Mount Pkg - Case IH 120' Boom - 30 ft | 900.00 | | |
| 410573 | Sprayer Mount Pkg - Case IH 80'-90' Boom - 30 ft | 900.00 | | |
| 410583 | Sprayer Mount Pkg - Miller Nitro (2008+) - 30 ft | 900.00 | | |
| 410593 | Sprayer Mount Pkg - New Holland - 30 ft | 900.00 | | |
| 410603 | Sprayer Mount Pkg - Miller Nitro (pre-2008) - 30 ft | 900.00 | | |
| 410613 | Sprayer Mount Pkg - Rogator 80, 90, 100' Boom - 30 ft | 900.00 | | |
| 410623 | Sprayer Mount Pkg - Rogator 120' Boom - 30 ft | 900.00 | | |
| 410633 | Sprayer Mount Pkg - Hagie DTS (2016+) - 30 ft | 900.00 | | |
| 410643 | Sprayer Mount Pkg - Apache 80, 90, 100' Boom - 30 ft | 900.00 | | |
| 410653 | Sprayer Mount Pkg - Hagie DTS (Pre-2016), 284, & 2100 - 30 ft | 900.00 | | |
| 410663 | Sprayer Mount Pkg - JD 4630 - 30 ft | 900.00 | | |
| 410683 | Sprayer Mount Pkg - JD 4710 - 30 ft | 900.00 | | |
| 410693 | Sprayer Mount Pkg - JD K&S Aluminum - 30 ft | 900.00 | | |
| 410703 | Sprayer Mount Pkg - Hagie Delta Boom - 30 ft | 900.00 | | |

| 40' Boom | | Retail Price | Qty | Ext |
|----------|---|--------------|-----|-----|
| 410504 | Sprayer Mount Pkg - JD 4830/4730/4720 - 40 ft | \$ 1,200.00 | | |
| 410514 | Sprayer Mount Pkg - JD 4930/4940 - 40 ft | 1,200.00 | | |
| 410524 | Sprayer Mount Pkg - JD R-Series 80, 90, 100' Boom - 40 ft | 1,200.00 | | |
| 410534 | Sprayer Mount Pkg - JD R-Series 120' Boom - 40 ft | 1,200.00 | | |
| 410544 | Sprayer Mount Pkg - Hagie STS Steel 80, 90, 100' Boom (2000-Cur.) - 40 ft | 1,200.00 | | |
| 410554 | Sprayer Mount Pkg - Hagie 120' Aluminum Boom (2012-Cur.) - 40 ft | 1,200.00 | | |
| 410564 | Sprayer Mount Pkg - Case IH 120' Boom - 40 ft | 1,200.00 | | |
| 410574 | Sprayer Mount Pkg - Case IH 80'-90' Boom - 40 ft | 1,200.00 | | |
| 410584 | Sprayer Mount Pkg - Miller Nitro (2008+) - 40 ft | 1,200.00 | | |
| 410594 | Sprayer Mount Pkg - New Holland - 40 ft | 1,200.00 | | |
| 410604 | Sprayer Mount Pkg - Miller Nitro (Pre-2008) - 40 ft | 1,200.00 | | |
| 410614 | Sprayer Mount Pkg - Rogator 80, 90, 100' Boom - 40 ft | 1,200.00 | | |
| 410624 | Sprayer Mount Pkg - Rogator 120' Boom - 40 ft | 1,200.00 | | |
| 410634 | Sprayer Mount Pkg - Hagie DTS (2016+) - 40 ft | 1,200.00 | | |
| 410644 | Sprayer Mount Pkg - Apache 80, 90, 100' Boom - 40 ft | 1,200.00 | | |
| 410654 | Sprayer Mount Pkg - Hagie DTS (Pre-2016), 284, & 2100 - 40 ft | 1,200.00 | | |
| 410664 | Sprayer Mount Pkg - JD 4630 - 40 ft | 1,200.00 | | |
| 410684 | Sprayer Mount Pkg - JD 4710 - 40 ft | 1,200.00 | | |
| 410694 | Sprayer Mount Pkg - JD K&S Aluminum - 40 ft | 1,200.00 | | |
| 410704 | Sprayer Mount Pkg - Hagie Delta Boom - 40 ft | 1,200.00 | | |

Order Online at <http://dealerstore.360yieldcenter.com>

Prices Subject to Change



Step 1 - Sprayer Mount Package (continued)

| 60' Boom | | Retail Price | Qty | Ext |
|-----------------|---|---------------------|------------|------------|
| 410506 | Sprayer Mount Pkg - JD 4830/4730/4720 - 60 ft | \$ 1,800.00 | | |
| 410516 | Sprayer Mount Pkg - JD 4930/4940 - 60 ft | 1,800.00 | | |
| 410526 | Sprayer Mount Pkg - JD R-Series 80, 90, 100' Boom - 60 ft | 1,800.00 | | |
| 410536 | Sprayer Mount Pkg - JD R-Series 120' Boom - 60 ft | 1,800.00 | | |
| 410546 | Sprayer Mount Pkg - Hagie STS Steel 80, 90, 100' Boom (2000-Cur.) - 60 ft | 1,800.00 | | |
| 410556 | Sprayer Mount Pkg - Hagie 120' Aluminum Boom (2012-Cur.) - 60 ft | 1,800.00 | | |
| 410566 | Sprayer Mount Pkg - Case IH 120' Boom - 60 ft | 1,800.00 | | |
| 410576 | Sprayer Mount Pkg - Case IH 80'-90' Boom - 60 ft | 1,800.00 | | |
| 410586 | Sprayer Mount Pkg - Miller Nitro (2008+) - 60 ft | 1,800.00 | | |
| 410596 | Sprayer Mount Pkg - New Holland - 60 ft | 1,800.00 | | |
| 410606 | Sprayer Mount Pkg - Miller Nitro (Pre-2008) - 60 ft | 1,800.00 | | |
| 410616 | Sprayer Mount Pkg - Rogator 80, 90, 100' Boom - 60 ft | 1,800.00 | | |
| 410626 | Sprayer Mount Pkg - Rogator 120' Boom - 60 ft | 1,800.00 | | |
| 410636 | Sprayer Mount Pkg - Hagie DTS (2016+) - 60 ft | 1,800.00 | | |
| 410646 | Sprayer Mount Pkg - Apache 80, 90, 100' Boom - 60 ft | 1,800.00 | | |
| 410666 | Sprayer Mount Pkg - JD 4630 - 60 ft | 1,800.00 | | |
| 410686 | Sprayer Mount Pkg - JD 4710 - 60 ft | 1,800.00 | | |
| 410696 | Sprayer Mount Pkg - JD K&S Aluminum - 60 ft | 1,800.00 | | |
| 410706 | Sprayer Mount Pkg - Hagie Delta Boom - 60 ft | 1,800.00 | | |

| 70' Boom | | Retail Price | Qty | Ext |
|-----------------|---|---------------------|------------|------------|
| 410517 | Sprayer Mount Pkg - JD 4930/4940 - 70 ft | \$ 2,100.00 | | |
| 410527 | Sprayer Mount Pkg - JD R-Series 80, 90, 100' Boom (66' Maximum) - 70 ft | 2,100.00 | | |
| 410537 | Sprayer Mount Pkg - JD R-Series 120' Boom - 70 ft | 2,100.00 | | |
| 410547 | Sprayer Mount Pkg - Hagie STS Steel (66' Maximum) Boom - 70 ft | 2,100.00 | | |
| 410557 | Sprayer Mount Pkg - Hagie 120' Aluminum Boom - 70 ft | 2,100.00 | | |
| 410587 | Sprayer Mount Pkg - Miller Nitro (2008+) - 70 ft | 2,100.00 | | |
| 410597 | Sprayer Mount Pkg - New Holland - 70 ft | 2,100.00 | | |
| 410607 | Sprayer Mount Pkg - Miller Nitro (Pre-2008) - 70 ft | 2,100.00 | | |
| 410567 | Sprayer Mount Pkg - Case IH 120' Boom (66' Maximum) - 70 ft | 2,100.00 | | |
| 410577 | Sprayer Mount Pkg - Case IH 80'-90' Boom (66' Maximum) - 70 ft | 2,100.00 | | |
| 410667 | Sprayer Mount Pkg - JD 4630 (66' Maximum) - 70 ft | 2,100.00 | | |
| 410697 | Sprayer Mount Pkg - JD K&S Aluminum - 70 ft | 2,100.00 | | |
| 410707 | Sprayer Mount Pkg - Hagie Delta Boom - 70 ft | 2,100.00 | | |

Order Online at <http://dealerstore.360yieldcenter.com>

Prices Subject to Change

360YC Price List v2.8



| Step 2 - Boom Assemblies (Boom ÷ 5)+1 | | Retail Price | Qty | Ext |
|--|---------------|---------------------|------------|------------|
| 415000 | Boom Assembly | 65.00 | | |

| Step 3 - Riser Mount Assemblies (Per Drop) | | Retail Price | Qty | Ext |
|---|----------------------|---------------------|------------|------------|
| 416000 | Riser Mount Assembly | 34.00 | | |

| Step 4 - Riser Mount Assemblies for Transport (see Chart) | | Retail Price | Qty | Ext |
|--|----------------------|---------------------|------------|------------|
| 416000 | Riser Mount Assembly | 34.00 | | |

| Step 5 - Breakaway Assemblies (Per Drop) | | Retail Price | Qty | Ext |
|---|-----------------------------------|---------------------|------------|------------|
| 416200 | Y Drop Sprayer Breakaway Assembly | 60.00 | | |

| Step 6 - Riser Tubes (Per Drop) (see Chart on pg. 4) | | Retail Price | Qty | Ext |
|---|----------------------|---------------------|------------|------------|
| 416043 | Riser Tube - 43 inch | 120.00 | | |
| 416049 | Riser Tube - 49 inch | 125.00 | | |
| 416055 | Riser Tube - 55 inch | 130.00 | | |
| 416061 | Riser Tube - 61 inch | 135.00 | | |
| 416067 | Riser Tube - 67 inch | 140.00 | | |
| 416079 | Riser Tube - 79 inch | 150.00 | | |
| 416091 | Riser Tube - 91 inch | 160.00 | | |

| Step 7 - Riser Hose Assemblies (Per Drop) (see Chart on pg. 4) | | Retail Price | Qty | Ext |
|---|--------------------------------|---------------------|------------|------------|
| 416066 | Riser Hose Assembly - 66 Inch | 15.00 | | |
| 416078 | Riser Hose Assembly - 78 Inch | 16.00 | | |
| 416090 | Riser Hose Assembly - 90 Inch | 17.00 | | |
| 416099 | Riser Hose Assembly - 102 Inch | 18.00 | | |
| 416110 | Riser Hose Assembly - 114 Inch | 19.00 | | |
| 416111 | Riser Hose Assembly - 126 Inch | 20.00 | | |

| Step 8 - 360 Y-DROP™ Base Units (Per Drop) | | Retail Price | Qty | Ext |
|---|---|---------------------|------------|------------|
| 413000 | 360 Y-DROP Base Unit - Conventional (Black) | 325.00 | | |
| 413010 | 360 Y-DROP Base Unit - High Visibility (Orange) | 325.00 | | |

| Step 9 - Drag Hoses (Drops*2) | | Retail Price | Qty | Ext |
|--------------------------------------|---------------------|---------------------|------------|------------|
| 413124 | Drag Hose - 24 inch | 7.00 | | |
| 413130 | Drag Hose - 30 inch | 7.00 | | |
| 413136 | Drag Hose - 36 inch | 10.00 | | |
| 413148 | Drag Hose - 44 inch | 10.00 | | |

Order Online at <http://dealerstore.360yieldcenter.com>

Prices Subject to Change

360YC Price List v2.8



Step 10 - Orifices/Nozzles (Varies)

| | | Retail Price | Qty | Ext |
|--------|------------------------------------|--------------|-----|-----|
| 418048 | Orifice Plate and Washer Kit - 48 | 3.50 | | |
| 418057 | Orifice Plate and Washer Kit - 57 | 3.50 | | |
| 418061 | Orifice Plate and Washer Kit - 61 | 3.50 | | |
| 418073 | Orifice Plate and Washer Kit - 73 | 3.50 | | |
| 418078 | Orifice Plate and Washer Kit - 78 | 3.50 | | |
| 418091 | Orifice Plate and Washer Kit - 91 | 3.50 | | |
| 418103 | Orifice Plate and Washer Kit - 103 | 3.50 | | |
| 418110 | Orifice Plate and Washer Kit - 110 | 3.50 | | |
| 418132 | Orifice Plate and Washer Kit - 132 | 3.50 | | |
| 418015 | Variable Rate Nozzle - TDVRHB015 | 31.25 | | |
| 418020 | Variable Rate Nozzle - TDVRHB02 | 31.25 | | |
| 418030 | Variable Rate Nozzle - TDVRHB03 | 31.25 | | |
| 418050 | Variable Rate Nozzle - TDVRHB05 | 31.25 | | |

Options and Additional Items

| | | Retail Price | Qty | Ext |
|----------|-----------------------------------|--------------|-----|-----|
| 416005 | Adapter - Case AIM 40203 | 5.00 | | |
| 416107 | Riser Tube As - 6" extension top | 20.00 | | |
| 416109 | Riser Tube As - 10" Extension Top | 30.00 | | |
| * 416505 | Y-Drop Display Center | 1,400.00 | | |

* Not for resale. Dealer discount does not apply to this item.



| SMP Replacement Parts | | Retail Price | Qty | Ext |
|-----------------------|--|--------------|-----|-----|
| 415007 | Y Drop Boom Bracket Kit | 45.00 | | |
| 417039 | Extension Tube - 39 inch | 35.00 | | |
| 417045 | Extension Tube - 51 inch | 40.00 | | |
| 417101 | Y-Drop OEM Boom Mount Bracket Kit - 1-1/4" U-Bolt | 36.00 | | |
| 417102 | Y-Drop OEM Boom Mount Bracket Kit - 2" U-Bolt | 42.50 | | |
| 417103 | Y-Drop OEM Boom Mount Bracket Kit - 2-1/2" U-Bolt | 45.50 | | |
| 417104 | Y-Drop OEM Boom Mount Bracket Kit - 1-1/2" Diamond Bolt | 48.50 | | |
| 417105 | Y-Drop OEM Boom Mount Bracket Kit - 1-1/2" Square U-Bolt | 50.50 | | |
| 417107 | Y-Drop OEM Boom Mount Bracket Kit -2" Square U-Bolt | 50.75 | | |
| 417108 | Y-Drop OEM Boom Mount Bracket Kit -2-1/2" Square U-Bolt | 51.25 | | |
| 417110 | Y-Drop OEM Boom Mount Bracket Kit - 3" Square U-Bolt | 51.75 | | |
| 417111 | Y-Drop OEM Boom Mount Bracket Kit - 3-1/2" Square U-Bolt | 52.25 | | |
| 417112 | Y-Drop OEM Boom Mount Bracket Kit - 5" Diamond Bolt | 89.25 | | |
| 417113 | Y-Drop OEM Boom Mount Bracket Kit - 5-3/4" Diamond Bolt | 101.25 | | |
| 417114 | Y-Drop OEM Boom Mount Bracket Kit - 6" Square U-Bolt | 103.00 | | |
| 417117 | Mount Bracket Kit - Wide R series | 52.00 | | |
| 417118 | Mount Bracket Kit - Wide Hagie | 92.00 | | |
| 417119 | Mount Bracket Kit - Wide 49 series | 220.00 | | |
| 417120 | Y-Drop OEM Boom Mount Bracket Kit - 3" U-bolt | 51.50 | | |
| 410801 | JD 4730-4830 Center Section Kit | 400.00 | | |
| 410802 | JD 4930-4940 Center Section Kit | 180.00 | | |
| 410803 | JD R-Series Center Section Kit | 190.00 | | |
| 410804 | Hagie STS Center Section Kit | 350.00 | | |
| 410805 | Hagie Aluminum 120' Center Section Kit | 220.00 | | |
| 410806 | Case 90' Center Section Kit | 170.00 | | |
| 410807 | Miller after 2008 Center Section Kit | 240.00 | | |
| 410808 | Miller pre 2008 Center Section Kit | 680.00 | | |
| 410809 | Rogator 120' Center Section Kit | 260.00 | | |
| 410810 | 66' Support Bracket Kit | 100.00 | | |
| 410811 | JD 4630 Center Section Kit | 415.00 | | |
| 410812 | Hagie DTS pre-2016 Center Section Kit | 340.00 | | |
| 410813 | Case 120' Center Section Kit | 95.00 | | |
| 410814 | JD K&S Aluminum Center Section Kit | 220.00 | | |
| 415200 | Y Drop Yoke Assembly - JD4930/4940 | 150.00 | | |
| 415205 | Yoke Assembly - Apache | 150.00 | | |
| 415206 | Yoke Assembly - Hagie STS 120' | 150.00 | | |
| 415010 | End cap - 1.25" sq | 0.75 | | |

Order Online at <http://dealerstore.360yieldcenter.com>

Prices Subject to Change

360YC Price List v2.8



SMP Replacement Hardware Components

| | | Retail Price | Qty | Ext |
|--------|---|--------------|-----|-----|
| 201003 | 1.25 inch x 3/8 inch U Bolt RIE | 8.00 | | |
| 201010 | 5/16 inch x 2 inch bolt Zinc | 0.75 | | |
| 201021 | 2 inch x 3 inch x 3/8 U Bolt RIE | 10.50 | | |
| 201023 | 2.5 inch x 3/8 inch U bolt RIE | 18.00 | | |
| 201028 | 3/8 inch x 1.25 inch Carriage Bolt RIE | 1.00 | | |
| 201034 | 3/8 inch x 3.5 inch Flange bolt RIE | 1.85 | | |
| 201036 | 3/8 inch x 4.5 inch bolt RIE | 2.25 | | |
| 201037 | 3/8 inch x 5 inch Bolt | 1.90 | | |
| 201041 | 3/8 inch x 7.5 inch bolt RIE | 6.00 | | |
| 201048 | 3/8 inch Nut RIE | 0.25 | | |
| 201059 | 3/8" Square U Bolt - 2.63 ID, 3.6 Tall, 2.03 Threaded - Grade 8, Coated | 19.75 | | |
| 201060 | 3/8" Diamond U Bolt - 1.50", 2.12 ID, 2.84" Tall, 2.09 Threaded - Grade 8, Coated | 20.50 | | |
| 201061 | 3/8" Square U Bolt - 3.18 ID, 4.14 Tall, 2.07 Threaded - Grade 8, Coated | 19.95 | | |
| 201062 | 3/8" Square U Bolt - 1.50" ID, 3.06" Tall, 2.07 Threaded - Grade 8, Coated | 19.50 | | |
| 201063 | 3/8" Square U Bolt - 3.43" ID, 4.14" Tall, 2.07 Threaded - Grade 8, Coated | 19.75 | | |
| 201064 | 3/8" Square U Bolt - 2.00 ID, 3.1 Tall, 2.03 Threaded - Grade 8, Coated | 19.50 | | |
| 201065 | 3/8" Diamond Bolt - 5.782", 8.135" ID, 6.85" Tall, 5.0 Threaded - Grade 8, Coated | 22.00 | | |
| 201066 | 3/8" Diamond Bolt - 5.1", 7.125" ID, 6.70" Tall, 4.0 Threaded - Grade 8, Coated | 21.25 | | |
| 201067 | Bolt - 3/8" - 9.5" - Grade 5 - Ecoguard | 22.00 | | |
| 201070 | 3/8" Square U Bolt - 6", 5" | 32.00 | | |
| 201071 | 5/16" Flange Nut - Grade 8, Coated | 0.30 | | |
| 201072 | Nut - Flange lock, 3/8" Grade 8 | 0.30 | | |
| 201073 | 3/8" Diamond Bolt - 4" - Grade 8, Coated | 17.25 | | |
| 207001 | Pin - 3/8" stainless steel wire lock (3/816LPSF) | 10.25 | | |
| 207004 | 5/16 Nut - nylok SS | 0.60 | | |
| 207011 | U-bolt - 5/16"x1-3/8", square | 4.25 | | |
| 207014 | Bolt - 5/16" Set Screw SS | 1.00 | | |
| 207015 | Nut - 5/16" Set Screw Jam Nut SS | 0.15 | | |
| 207017 | Washer - Flat, Stainless Steel 3/8" | 0.20 | | |
| 207019 | Bolt - Flange, Stainless Steel 3/8"x1-3/4" | 4.50 | | |
| 207037 | 5/16" Washer - Extra thick - SS | 0.40 | | |
| 207038 | 3/8" Nylok Nut - SS | 0.60 | | |
| 207044 | U-bolt - 5/16"x1-3/8", square, Grade 5 | 1.70 | | |
| 412128 | Top plate 3 inch for Mounting | 13.00 | | |
| 412129 | Top plate 4 inch for Mounting | 13.75 | | |
| 412131 | Top plate 6 inch for Mounting | 15.50 | | |
| 412133 | Top plate 8 inch for Mounting | 17.00 | | |
| 412135 | Top plate 14 inch for Mounting | 30.50 | | |
| 412136 | 19inch Case Starter Boom Bracket | 30.25 | | |
| 412321 | Adapter Plate - 7/8" | 51.25 | | |
| 417049 | Drop Bracket | 175.00 | | |
| 417115 | Diamond Boom Clamp - Large | 20.00 | | |

Order Online at <http://dealerstore.360yieldcenter.com>

Prices Subject to Change



SMP Replacement Hardware Components (continued)

| | | Retail Price | Qty | Ext |
|--------|---|--------------|-----|-----|
| 417116 | Diamond Boom Clamp - Small | 15.00 | | |
| 207039 | Y Drop Boom Bracket Hardware Kit | 12.25 | | |
| 207040 | Y Drop Boom Bracket Stop Bolt Kit | 9.75 | | |
| 207042 | Y-Drop OEM Boom Mount Hardware Kit | 10.25 | | |
| 207043 | Hardware Kit for Diamond U Bolt | 12.25 | | |
| 417100 | Y-Drop OEM Boom Bracket Assembly - 1-1/2" to 3-1/2" | 23.25 | | |

Boom Assembly Replacement Parts

| | | Retail Price | Qty | Ext |
|--------|--|--------------|-----|-----|
| 415001 | Boom section - 5 foot | 55.00 | | |
| 415006 | Boom Connector Kit | 34.00 | | |
| 207019 | Bolt - Flange, Stainless Steel 3/8"x1-3/4" | 4.50 | | |
| 207017 | Washer - Flat, Stainless Steel 3/8" | 0.20 | | |
| 207038 | 3/8" Nylok Nut - SS | 0.60 | | |

Riser Mount Assembly Replacement Parts

| | | Retail Price | Qty | Ext |
|--------|--|--------------|-----|-----|
| 416001 | Bracket Assembly - Riser, Fabrication | 29.25 | | |
| 207011 | U-bolt - 5/16"x1-3/8", square | 4.25 | | |
| 207004 | 5/16 Nut - nylok SS | 0.60 | | |
| 207037 | 5/16" Washer - Extra thick - SS | 0.40 | | |
| 207001 | Pin - 3/8" stainless steel wire lock (3/816LPSF) | 10.25 | | |
| 207041 | Hardware Kit for Riser Mount | 21.00 | | |

Riser Hose Replacement Parts

| | | Retail Price | Qty | Ext |
|--------|---------------|--------------|-----|-----|
| 412314 | Seal - Rubber | 0.15 | | |

Drag Hose Replacement Parts

| | | Retail Price | Qty | Ext |
|--------|-----------------------|--------------|-----|-----|
| 207010 | Hose clamp - Screw SS | 1.50 | | |

360 Y-DROP Base Unit Replacement Parts

| | | Retail Price | Qty | Ext |
|--------|--|--------------|-----|-----|
| 413100 | Supply Hose Assembly | 25.00 | | |
| 413022 | Y Drop Leg Assembly - Black - Narrow - Right | 38.00 | | |
| 413025 | Y Drop Leg Assembly - Black - Narrow - Left | 38.00 | | |
| 413021 | Y Drop Leg Assembly - Orange - Narrow - Right | 39.50 | | |
| 413023 | Y Drop Leg Assembly - Orange - Narrow - Left | 39.50 | | |
| 207002 | Pin - detent, stainless steel w lanyard | 9.50 | | |
| 412315 | Y adapter Quick Connect QJ90-2-NYR | 9.25 | | |
| 413009 | Plug - Y Drop, rubber | 1.50 | | |
| 207001 | Pin - 3/8" stainless steel wire lock (3/816LPSF) | 10.25 | | |

Order Online at <http://dealerstore.360yieldcenter.com>

Prices Subject to Change

360YC Price List v2.8

Order 360 Y-DROP SIDEDRESS™ Row Kits

STEP 1:

Order the **360 Y-DROP SIDEDRESS™ Row Kits**

PG 14

Quantity Needed: INSIDE - Side Dress Row Kits - Black: # of drops - 2

Quantity Needed: OUTSIDE - Side Dress Row Kits - Orange: 2

Ex: 16 Row Side Dress Toolbar

16 row system = 13 360 Y-DROP SIDEDRESS™ Row Kits - Black
+ 2 360 Y-DROP SIDEDRESS™ Row Kits -Orange
15 Total Y-DROP SIDEDRESS Row Kits

* Kit includes 1 Breakaway assembly, 1 - 12" Riser, 1 Hose Adapter Kit, 1 Y-DROP Base Unit, 2 - 30" Drag Hoses

STEP 2:

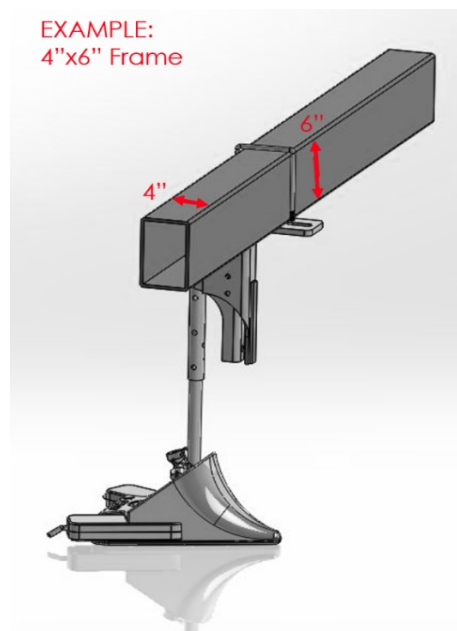
Order the **360 Y-DROP SIDEDRESS™ U-Bolt Mounting Kit**

PG 14

Quantity needed: # of 360 Y-DROP SIDEDRESS Row Kits

Ex: 16 Row Side Dress Toolbar: 15 U-Bolt Mounting Kits

The U-Bolt size is determined by the width of the mounting bar by measuring the width of the bar based on a top-down picture of the side dress tool bar. Example below is a 4" bar width (Part Number 416234)



* Kit includes 1 U-Bolt and hardware.

Order Online at <http://dealerstore.360yieldcenter.com>

Prices Subject to Change

360YC Price List v2.8



Step 1 - 360 Y-DROP SIDEDRESS™ Row Kits (One per Drop)

| | | Retail Price | Qty | Ext |
|--------|------------------------------------|--------------|-----|-----|
| 416220 | Y Drop Side Dress Row Kit - Black | 435.00 | | |
| 416225 | Y Drop Side Dress Row Kit - Orange | 435.00 | | |

Step 2 - 360 Y-DROP SIDEDRESS™ U-Bolt Kit (One per Drop)

| | | Retail Price | Qty | Ext |
|--------|---|--------------|-----|-----|
| 416234 | Y Drop Side Dress 4"x6" U-Bolt Mounting Kit | 15.00 | | |
| 416235 | Y Drop Side Dress 5"x7" U-Bolt Mounting Kit | 15.00 | | |
| 416236 | Y Drop Side Dress 6"x4" U-Bolt Mounting Kit | 15.00 | | |
| 416237 | Y Drop Side Dress 7"x7" U-Bolt Mounting Kit | 15.00 | | |
| 416238 | Y Drop Side Dress 6"x6" U-Bolt Mounting Kit | 15.00 | | |
| 416239 | Y Drop Side Dress 7"x7-1/2" U-Bolt Mounting Kit | 15.00 | | |
| 416240 | Y Drop Side Dress 7" x 5" U-Bolt Mounting Kit | 15.00 | | |

Options and Additional Items

| | | Retail Price | Qty | Ext |
|----------|------------------------------------|--------------|-----|-----|
| 416210 | Y Drop Tool Bar Breakaway Assembly | 150.00 | | |
| 416012 | Riser Tube - 12" - Side Dress | 30.00 | | |
| 416221 | Y Drop Side Dress Hose Adapter Kit | 10.00 | | |
| * 416250 | Y-Drop Side Dress Display Stand | 600.00 | | |

* Not for resale. Dealer discount does not apply to this item.



Order a 360 UNDERCOVER™

STEP 1:

Order **360 UNDERCOVER™** units

PG 16

Quantity needed: # of drops

STEP 2:

Order **360 UNDERCOVER™** Hose Assemblies

PG 16

Quantity needed: # of drops

Reference chart to right for needed hose length

| Riser Tube | UC Hose |
|------------|---------|
| 43" | 78" |
| 49" | 78" |
| 55" | 90" |
| 61" | 90" |
| 67" | 102" |
| 79" | 102" |
| 91" | 114" |



Step 1 - 360 UNDERCOVER™ Units

| | | Retail Price | Qty | Ext |
|--------|------------------------------|--------------|-----|-----|
| 420000 | 360 UNDERCOVER Base Unit As. | 225.00 | | |

Step 2 - 360 UNDERCOVER™ Hose Assemblies

| | | Retail Price | Qty | Ext |
|--------|------------------------------------|--------------|-----|-----|
| 420100 | 360 UNDERCOVER Hose As. - 78 inch | 16.00 | | |
| 420110 | 360 UNDERCOVER Hose As. - 90 inch | 17.00 | | |
| 420120 | 360 UNDERCOVER Hose As. - 102 inch | 18.00 | | |
| 420130 | 360 UNDERCOVER Hose As. - 114 inch | 19.00 | | |

Order Online at <http://dealerstore.360yieldcenter.com>

Prices Subject to Change

360YC Price List v2.8



Order 360 BULLET™ Ripper Points

STEP 1:

Order 360 BULLET™ Ripper Points

PG 18

Quantity needed: One per ripper point

The chart below clarifies the part number corresponding to each model

| Model | Shank | Part # |
|-----------------|-------|--------|
| Case IH 870 | 1 ¼ " | 480150 |
| Case IH 875 | 1 ¼ " | 480150 |
| John Deere 512 | 1 ¼ " | 480150 |
| John Deere 2700 | 1 ¼ " | 480150 |
| John Deere 2730 | 1 ¼ " | 480150 |
| Case IH 530 | 1 ½ " | 480160 |
| Case IH 730 | 1 ½ " | 480160 |

Order Online at <http://dealerstore.360yieldcenter.com>

Prices Subject to Change

360YC Price List v2.8

PG 17



360 BULLET™ Ripper Points

| | | Retail Price | Qty | Ext |
|--------|---|--------------|-----|-----|
| 480150 | 360 Bullet Ripper Point Assembly - Case IH, John Deere - 1-1/4" Shank | 130.00 | | |
| 480160 | 360 Bullet Ripper Point Assembly - Case IH 530/730 - 1-1/2" Shank | 130.00 | | |

360 BULLET™ Demo Tools

| | | Retail Price | Qty | Ext |
|----------|---|--------------|-----|-----|
| * 480140 | 360 Bullet - Dealer Demo | 65.00 | | |
| * 480141 | 360 Bullet Soil Contour Dealer Display (Comparative Pair) | 1,600.00 | | |
| * 480142 | 360 Bullet Soil Contour (Single) | 800.00 | | |
| * 480143 | OEM Soil Contour Display (Single) | 800.00 | | |
| * 480144 | Contour Dealer Display Touch Up Paint | 5.00 | | |

* Not for resale. Dealer discount does not apply to this item.



Order 360 CHAINROLL™

STEP 1:

Order the **360 CHAINROLL Kits** for John Deere 600, John Deere 40/90, or Case 4400 series head. PG 20

Quantity: 1 kit per head row.

Included with purchase:

1 pair of left and right rolls plus necessary hardware per kit



Step 1 - 360 CHAINROLL™ Kits

| | | Retail Price | Qty | Ext |
|--------|--|---------------------|------------|------------|
| 451101 | 360 Chainroll Row Unit Kit - JD 600 Series 2012+ (Opposing Flutes) | 950.00 | | |
| 451201 | 360 Chainroll Row Unit Kit - JD 600 Series 2008-2012 (Opposing Flutes) | 950.00 | | |
| 451302 | 360 Chainroll Row Unit Kit - JD 40/90 (Opposing Flutes) | 950.00 | | |
| 451401 | 360 Chainroll Row Unit Kit - Case 4400 (Opposing Flutes) | 950.00 | | |

Order Online at <http://dealerstore.360yieldcenter.com>

Prices Subject to Change

360YC Price List v2.8