



360 BANDIT™

INSTALLATION INSTRUCTIONS KINZE 3000 MODELS



360YIELDCENTER.COM

FOR QUESTIONS PLEASE CONTACT OUR
PRODUCT SUPPORT TEAM AT 309-300-3120

5.26.20 • V7

All trademarks are the property of 360 Yield Center, its affiliates and/or its licensors. ©2019 360 Yield Center. All rights reserved.

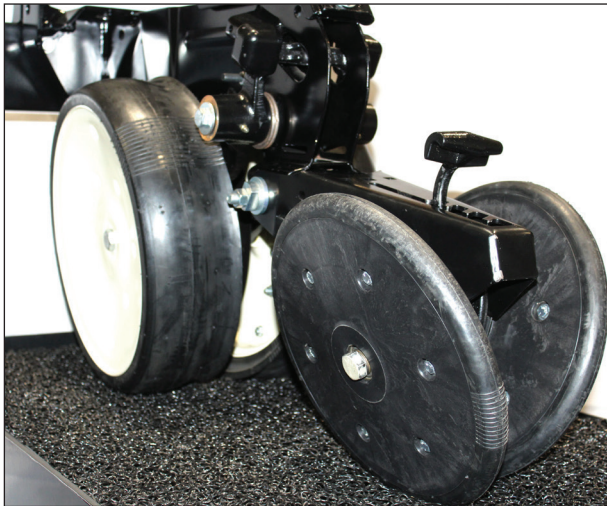
INSTALLATION INSTRUCTIONS

KINZE 3000



BEFORE YOU BEGIN...

HELPFUL TOOLS



Hammer/Mallet

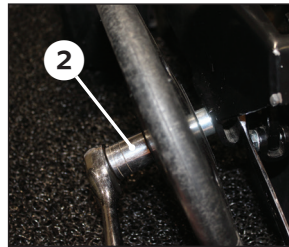
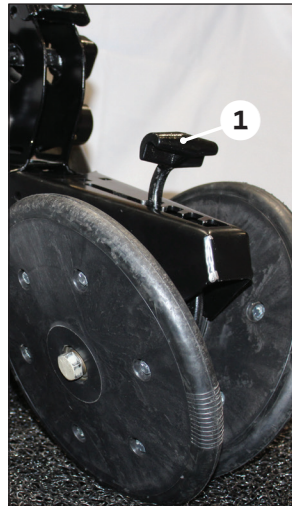
Wrench Sizes: 3/4", 9/16" and 15/16"

Socket Sizes: 3/4", 9/16" and 15/16"

Impact Driver/ Socket Wrench

STEP 1

REMOVE CLOSING WHEELS



Release spring **1** to remove tension from closing system.

Remove closing wheels with a 15/16" socket and wrench **2**. Retain the closing wheels, bolts, and nuts for re-installation later in the instructions.

If present, remove insecticide attachment.

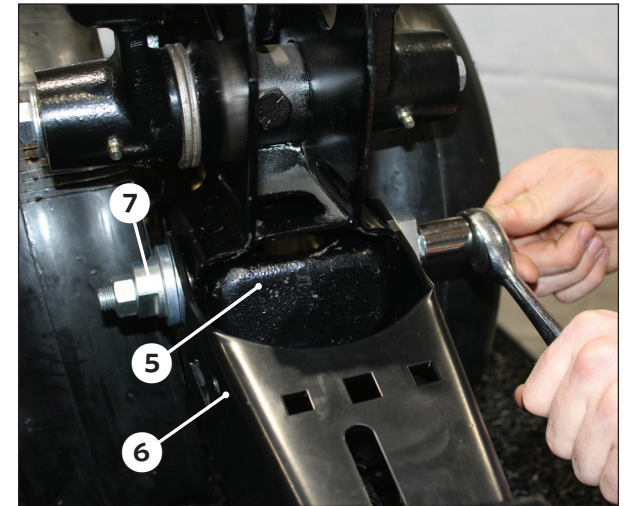
NOTES:

Removal of the closing wheels is necessary to facilitate the ease of removing and reinstalling the spring.

If you are installing the optional chains kit, the bolts and nuts **3 can be discarded but the bushings **4** need to be kept.**

STEP 2

REMOVE CLOSING SYSTEM ARMS



Using a 9/16" socket, remove the bolt that holds the closing wheel arm stop **5** to the row unit between the gauge wheels.

NOTE: The gauge wheels may need to be held up to remove the bolt.

Using a 3/4" socket remove the nut from the carriage bolt that secures the closing system arms on the row unit.

Remove carriage bolt and remove closing system arms **6** from the row unit. Discard carriage bolt, nut and washers. Retain two piece bushing **7**.

Remove spring from closing wheel arm stop and set closing wheel arm stop to the side.

NOTE: Retain closing wheel arm stop in a safe location for installation of closing system without 360 BANDIT.

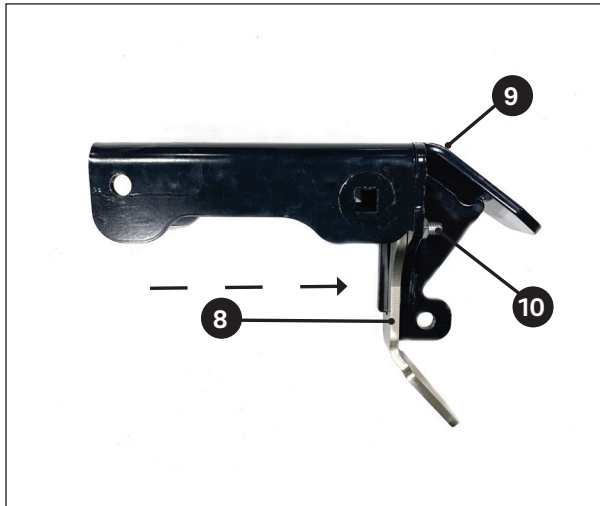
INSTALLATION INSTRUCTIONS

KINZE 3000



STEP 3

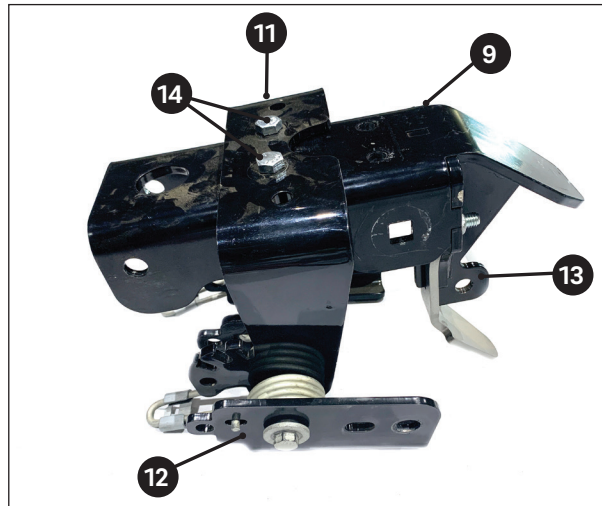
INSTALL ROCK GUARD



Attach the rock guard **8** to the underside of the extension bracket **9** using two bolts **10**. Secure with nut.

STEP 4

INSTALL BANDIT ARM ASSEMBLY



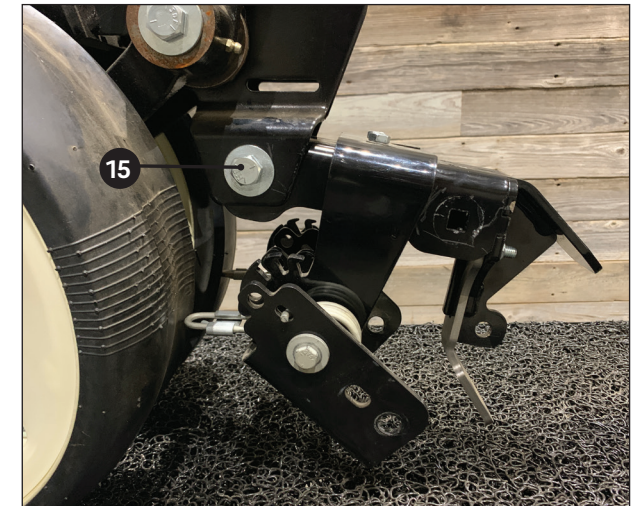
Slide the BANDIT arm assembly **11** over the extension bracket **9**, ensuring BANDIT arms **12** are facing in the rearward direction, towards the spring hook **13**.

Secure arm assembly to the front holes **14** on the extension bracket with (2) 3/8" X 1-1/2" bolts and 3/8" flange nuts.

Tighten with 9/16" socket and wrench.

STEP 5

INSTALL EXTENSION BRACKET



Align holes in extension bracket with the holes on the row unit **15**. Install flat washer on the 1/2" x 1-1/2" bolt from hardware kit #540615. Slide bolt through extension bracket and row unit hole (bolt head on the outside). Install another washer and hand tighten with nyloc nut from hardware kit #540615. Do not tighten.

NOTE: Leave nyloc nuts loose on both sides until after the support strap is installed in STEP 5.

Repeat for other side.

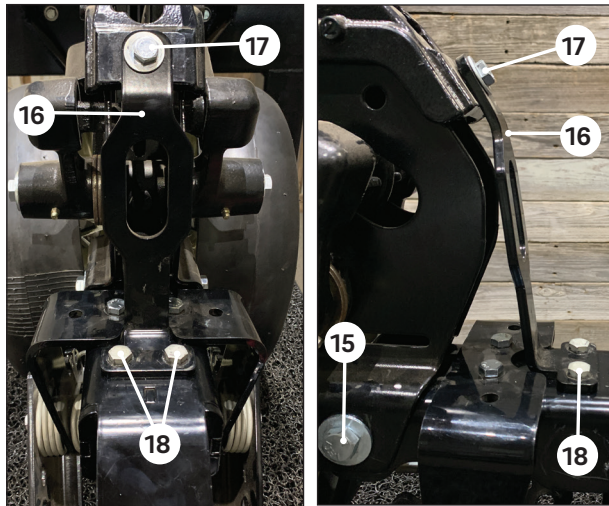
INSTALLATION INSTRUCTIONS

KINZE 3000



STEP 6

INSTALL SUPPORT STRAP



Remove the bolt on the bottom of the depth adjustment assembly and discard.

Secure the top of the support strap **16** to the depth adjustment assembly using the supplied 3/8" x 1-1/4" bolt and washer from hardware kit #540615 **17**. Ensure all bracketry is flush when bolt is installed.

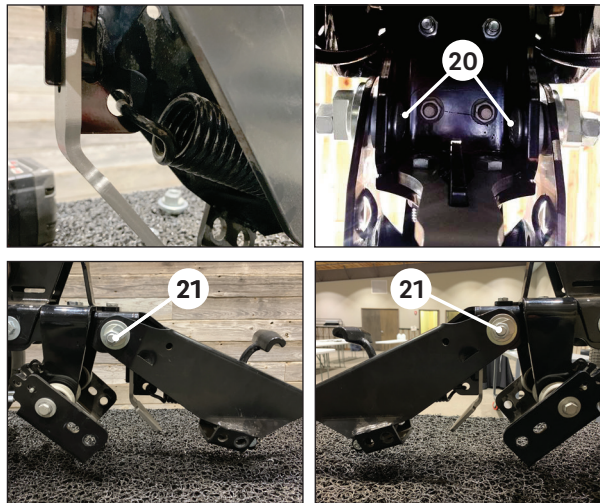
Attach the support strap to the back holes on the extension bracket with (2) 3/8" x 1-1/4" bolts and 3/8" flange nuts from hardware kit #540615 **18**. Tighten bolts with 9/16" socket and wrench.

NOTE: The extension bracket may need lifted up to align bolt holes. Tighten the bolt down until there is a flat connection between the support strap and the depth adjustment assembly.

Tighten the nyloc nuts that were left loose in STEP 5 with 3/4" socket and wrench securing the BANDIT extension bracket to the row unit **15**.

STEP 7

REINSTALL CLOSING SYSTEM

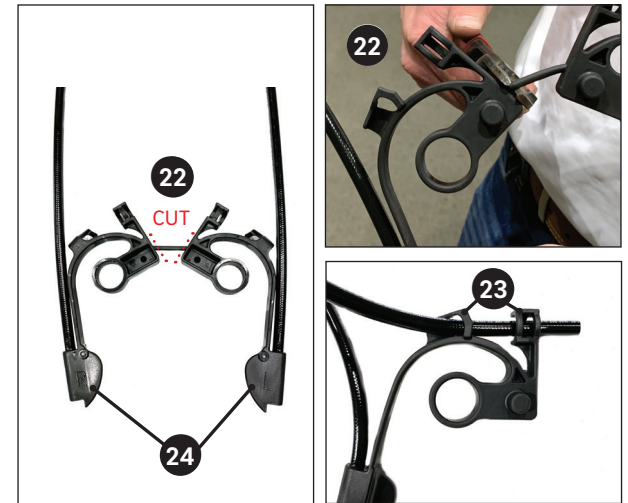


Attach the tensioning spring on the closing system to the spring hook on the BANDIT extension bracket **19**.

Align square holes in extension bracket with holes in closing system arms. From the inside to the outside, using the thick spacer washer (one per side), slide supplied 2-1/4" carriage bolt through all parts (carriage bolt head on the inside) **20**. Secure all parts with the previously set aside two-piece bushing and provided 1/2" nyloc nut **21**. Tighten with 1/2" socket. Adjust bushings according to OEM specs.

STEP 8

PREPARE HOSE GUIDES



Using side-cutters, cut the two hose guides apart **22**.

Route the hose through the top two holes in the hose guide **23**.

Hose guides are labeled "L" left and "R" right **24**.

NOTE: When installing hoseguides on the row unit, left and right are determined from the operators seat.

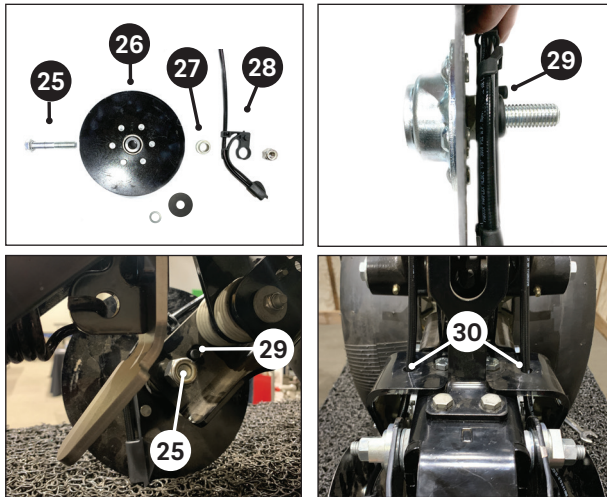
INSTALLATION INSTRUCTIONS

KINZE 3000



STEP 9

INSTALL DISK ASSEMBLY



Insert 5/8" X 3" bolt **25** through the disk **26**. Place small shim washer then fender washer over the bolt. Insert bushing **27** (large side first) and hose guide assembly **28** (ear tab **29** facing in).

Slide bolt of the disk assembly into the lower hole on the bandit **25**, aligning the ear tab **29** with corresponding upper hole and secure with lock nut.

Tighten with 15/16" socket and wrench. Check to ensure that the disk freely turns. If the disk does not freely turn, back off the lock nut slightly until the disk freely turns.

Using a mallet, install provided dust caps over disk bolt heads.

Route application hose through hole in top of 360 BANDIT frame **30**.

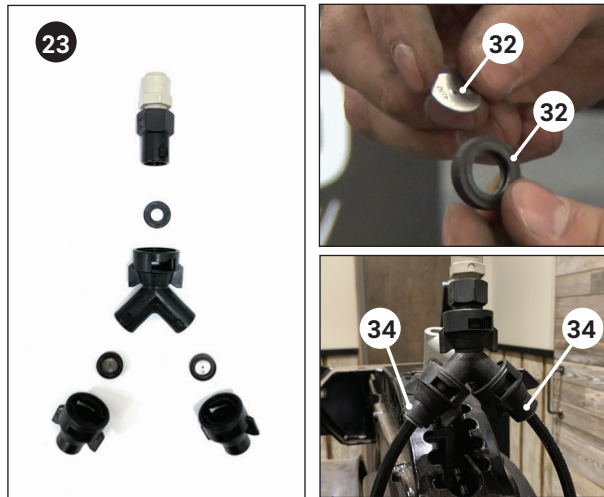
Repeat for other side.

Using 15/16" socket and wrench, reinstall closing wheels.

NOTE: If the optional Chain Kit is being installed, do not reinstall the closing wheels.

STEP 10

ASSEMBLE PLUMBING



Install orifice plates **31** in the rubber grommets **32**.

Assemble plumbing components in the arrangement shown above **33**.

Attach the plumbing assembly to each of the hoses coming from the house guides **34**.

NOTE: If hoses are not fully seated in the push to connect, they will leak. Hoses seat 7/8" of an inch deep or until you hear a snap.

The supplied push to connect adapter in the 360 BANDIT kit connects to 3/8" push to connect compatible hose.

Secure hoses to row unit with provided zip ties.

INSTALLATION COMPLETE



PLUMBING RECOMMENDATIONS:

To prevent excess fertilizer from dribbling out of the hoses when product application is shut off, install one push to connect polypropylene (Inlet x Outlet) 3/8" O.D. check valve (not included) in the plumbing to each row prior to the 360 BANDIT orifices. Check valve is available at Dultmeier Sales (Item #BUCV1103-P38).

A 50 mesh strainer (not included) can be used in the complete plumbing system between tanks and 360 BANDIT to help prevent debris from blocking orifices.

